

Tensiline™

Custom Cable Rail System



Tensiline™ stainless steel cable railing system is designed and constructed using stainless steel cables and a selection of stainless steel fittings and turnbuckles to achieve the desired look for your project. The use of stainless steel cable allows for minimal sightline obstruction. A variety of materials, finishes and colors are available to meet your requirements.





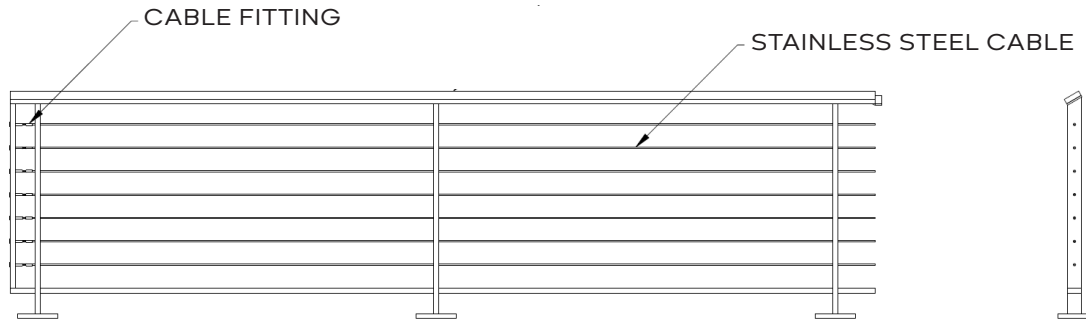
Specifications

Material:	Aluminum, Stainless Steel, Steel
Finishes:	Aluminum: Anodized/High Performance Coatings/Architectural Powder Coat Stainless Steel: Brushed/Polished Steel: Galvanized/High Performance Coatings/Architectural Powder Coat
Height:	30", 36" or 42"
Post Spacing:	4' On Center
Frame:	Square Tube, Round Pipe, Flat Bar
Top Rail:	To match frame material and finish
Handrail:	Round Pipe (match frame material and finish)
Mount Type:	Top or Fascia w/ baseplates
Infill options:	3/16" diameter stainless steel Cable
Cable Fittings:	316 stainless steel fittings brushed finish

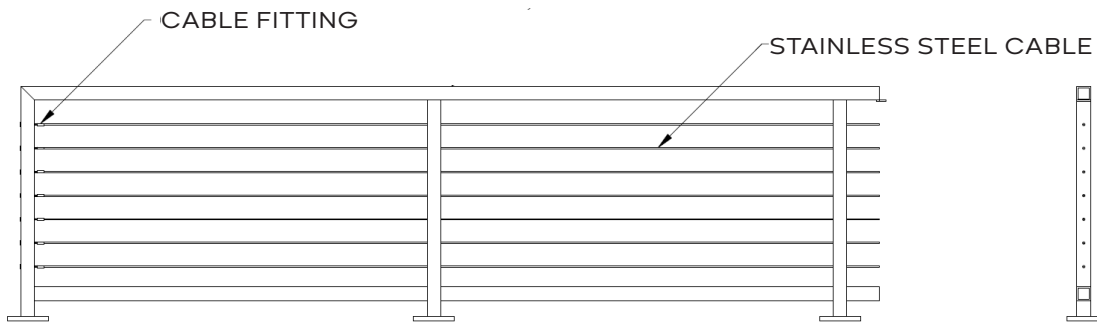
*Custom options available

Frame Configurations

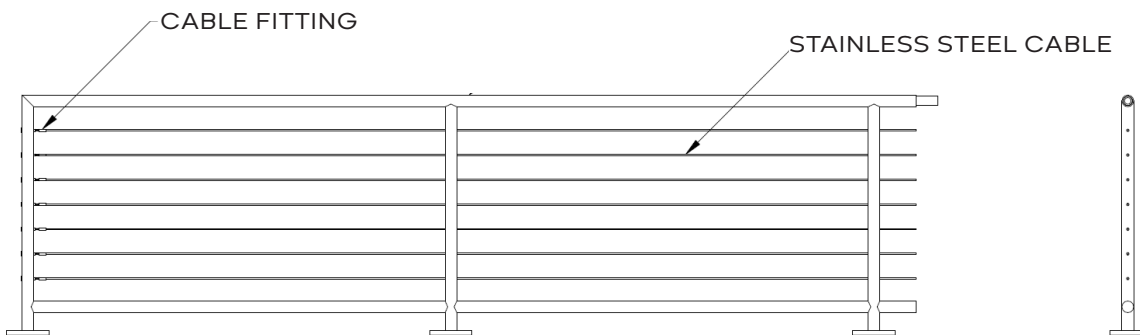
Flat Bar Frame



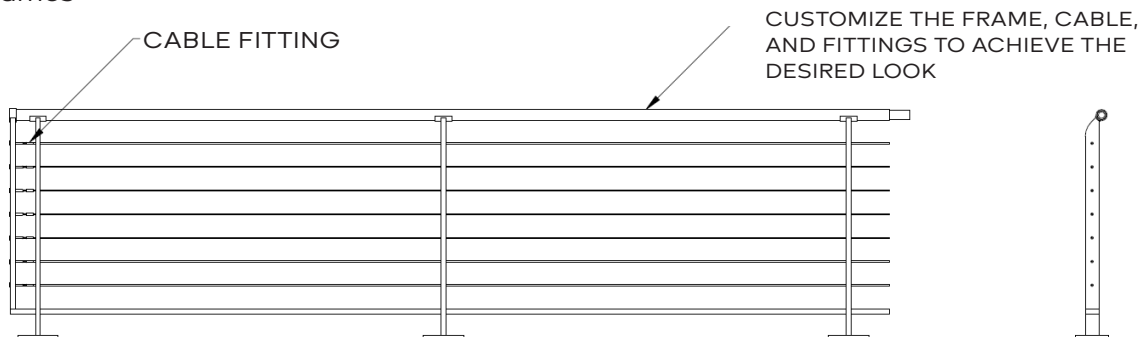
Square Tube Frame



Round Pipe Frame

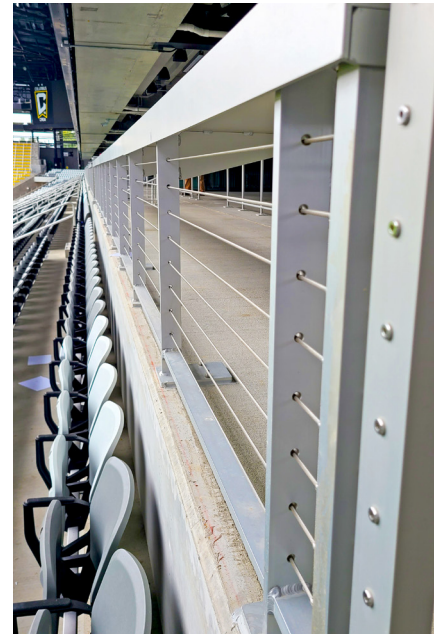


Custom Frames



Mounting Options

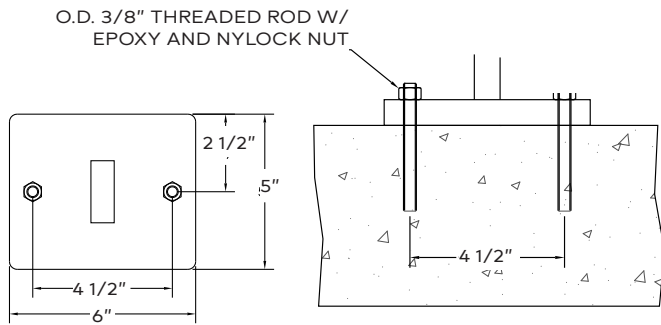
Top Mount



Fascia Mount

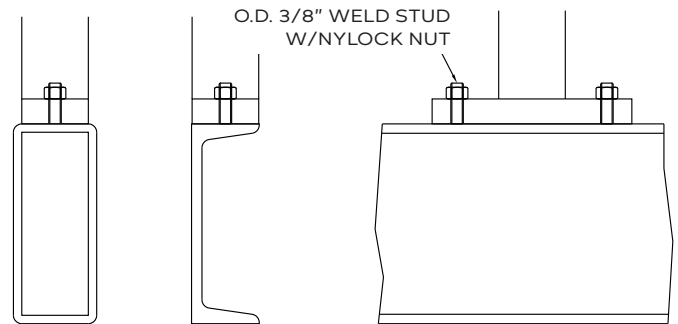


Top Mount Base Plate



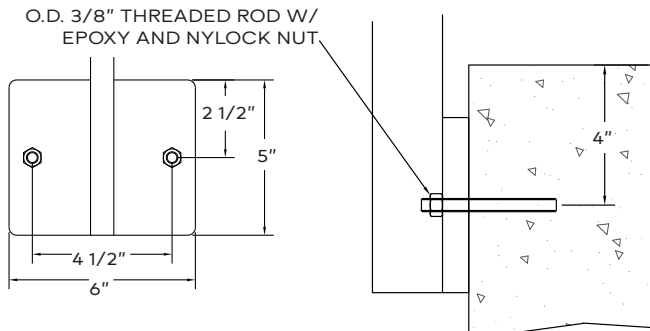
Dimensions dependent on geometry.

Stringer Mount



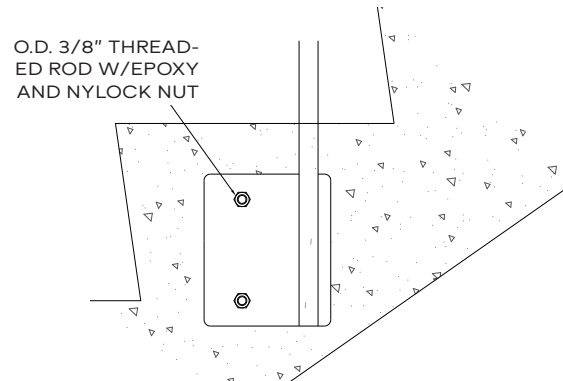
Dimensions dependent on geometry.

Fascia Mount Base Plate



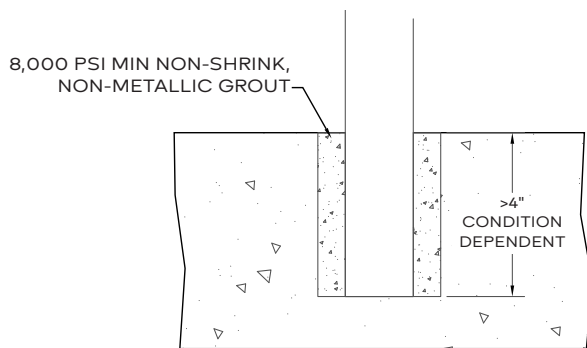
Dimensions dependent on geometry.

Fascia Mount Stair Base Plate



Dimensions dependent on geometry.

Core Mount



Notes:

Railings can be mounted to concrete or steel.
Anchor size/Type may vary due to field conditions.

