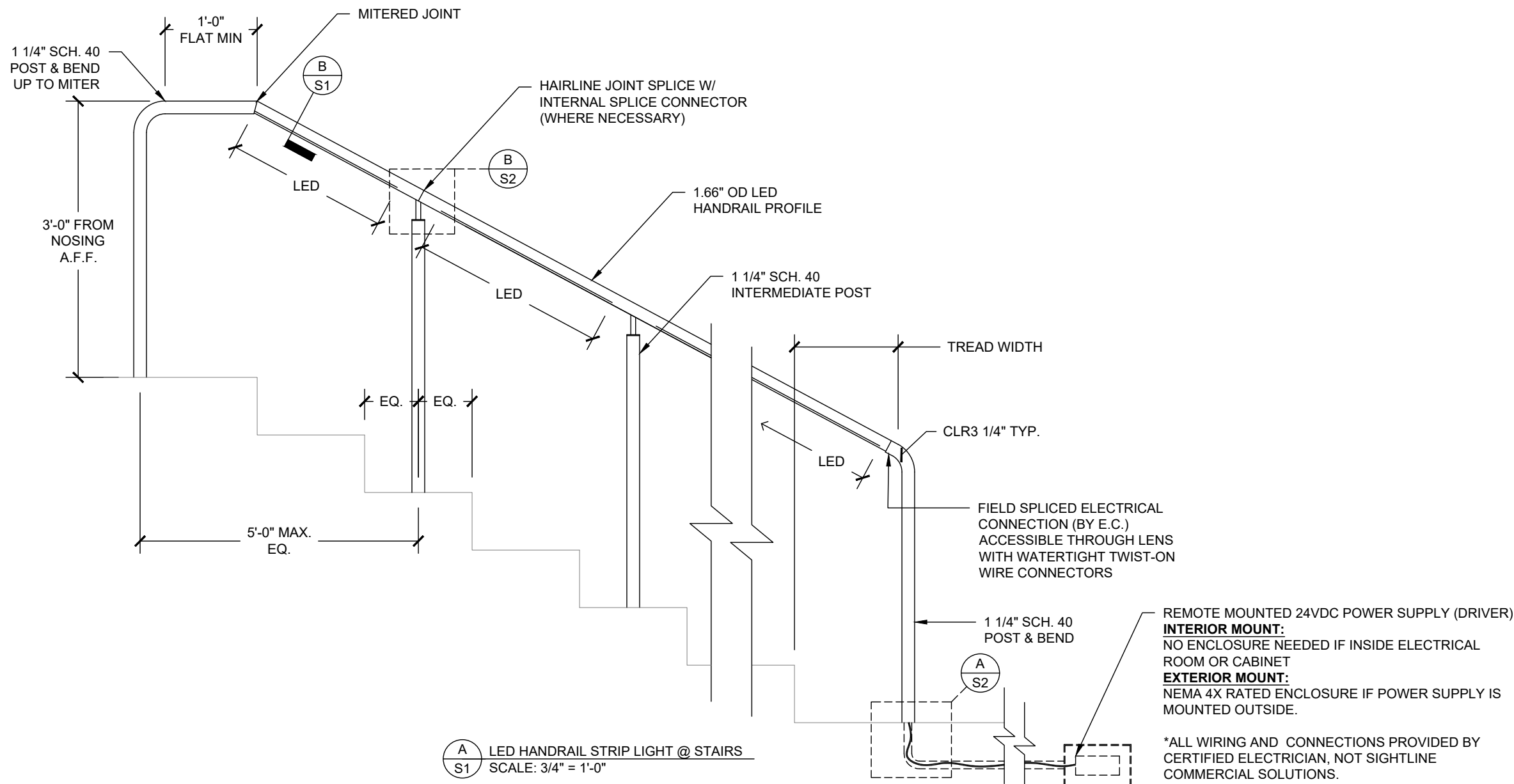
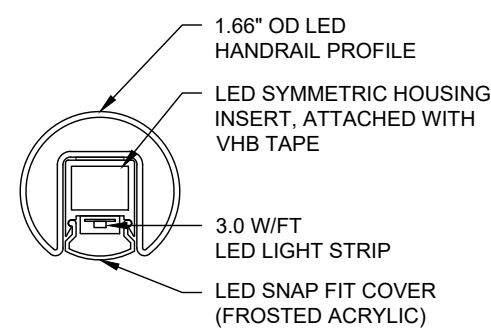


PROJECT INFORMATION

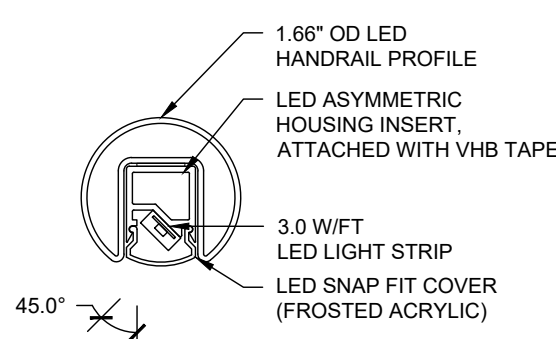
PROJECT:
LED HANDRAIL
TYPICAL DETAILS
LOCATION:
MINNEAPOLIS, MN



(A S1) LED HANDRAIL STRIP LIGHT @ STAIRS
SCALE: 3/4" = 1'-0"



(B1 S1) LED STRIP LIGHT SECTION - SYMMETRIC
SCALE: 6"=1'-0"



(B2 S1) LED STRIP LIGHT SECTION - ASYMMETRIC
SCALE: 6"=1'-0"

LED STRIP LIGHT SPECS

POWER CONSUMPTION: 3.0 WATTS/FT
 INPUT VOLTAGE: 24VDC
 MAX. FLUX: 210 LUMENS/FT
 COLOR: WARM WHITE - 3000K
 BEAM ANGLE: 110° (SYMMETRIC)
 55° (ASYMMETRIC) 45° NADIR

LED QTY: 75 LEDs/FT
 DIMMABLE: YES (0-10V)
 CRI: 95+
 LIFESPAN: UP TO 70,000 HRS (LM70)
 SUITABLE USES: IP 67 (DRY OR WET LOCATIONS)
 CERTIFICATIONS: UL, cUL, RoHS
 WARRANTY: 5 YEARS

POWER SUPPLY (DRIVER) SPECS

INPUT VOLTAGE: 110-277VAC
 INPUT Hz: 50-60 Hz
 OUTPUT VOLTAGE: 24VDC
 OUTPUT WATTS (MAX): 96 WATTS (or) 2x 96 WATTS
 OUTPUT WATTS (80%): 76 WATTS
 OUTPUT CURRENT: 4 AMPS
 DIMMABLE: YES (0-10V)
 OPERATING TEMPS:-40 TO 140 DEGREES
 CLASS RATING: CLASS 2
 INTEGRATED WIRE COMPARTMENT
 SUITABLE USES: IP 67 (DRY OR WET LOCATIONS)
 CERTIFICATIONS: UL, RoHS
 WARRANTY: 5 YEARS

ELECTRICAL COMPONENTS MANUFACTURED BY Q-TRAN INC.

*DIMENSIONS AND SPECIFICATIONS LISTED ARE FOR SIGHTLINE COMMERCIAL SOLUTIONS PRODUCTS STANDARD LED HANDRAIL. SEE SALES SHEET FOR OTHER AVAILABLE OPTIONS.

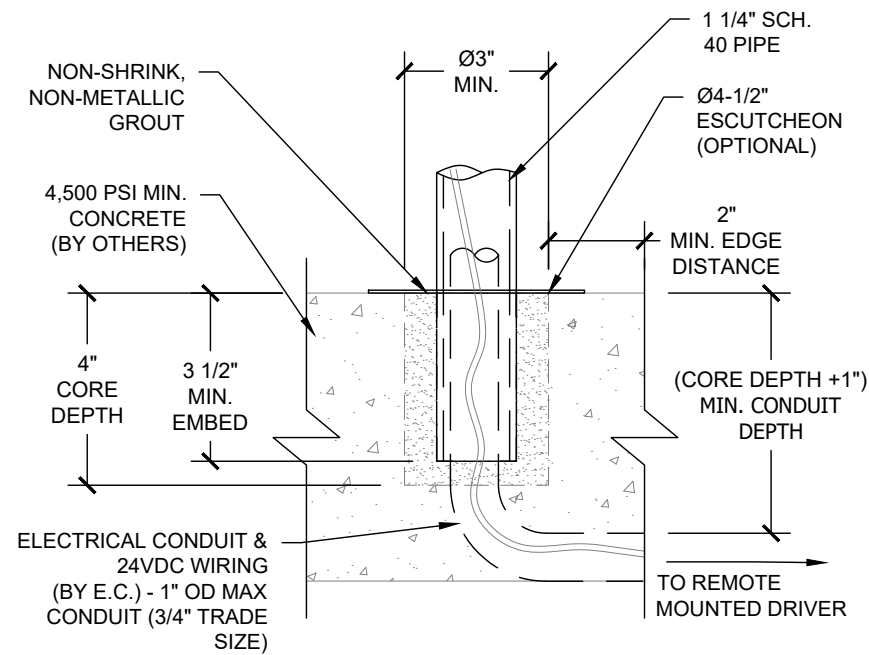
LED HANDRAIL - STRIP LIGHT
TYPICAL TREAD MOUNT RAIL DETAILS

ITEM	DESCRIPTION	AUTH	DATE

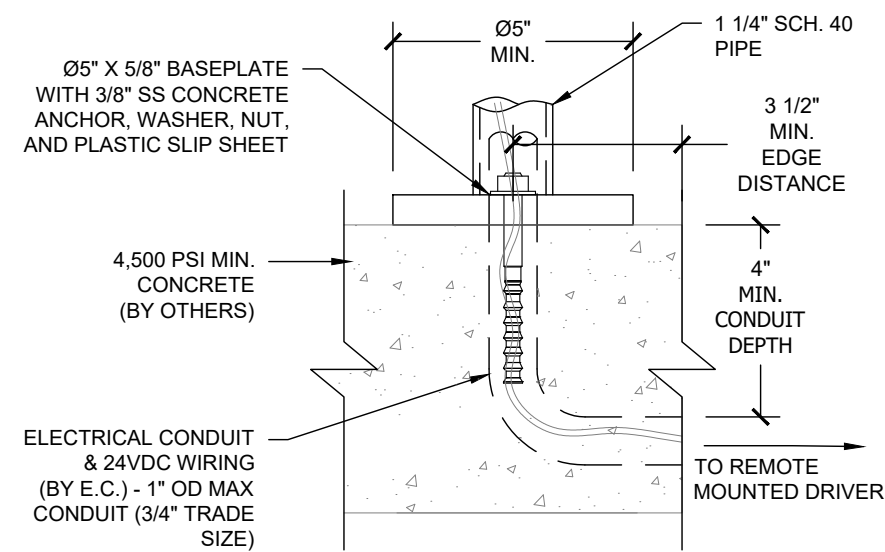
DRAWN BY NBB	DATE 3/27/20
PROJECT NUMBER SALES	
SHEET NUMBER SCS-LED-STRIP-FMHR-S1	

PROJECT INFORMATION

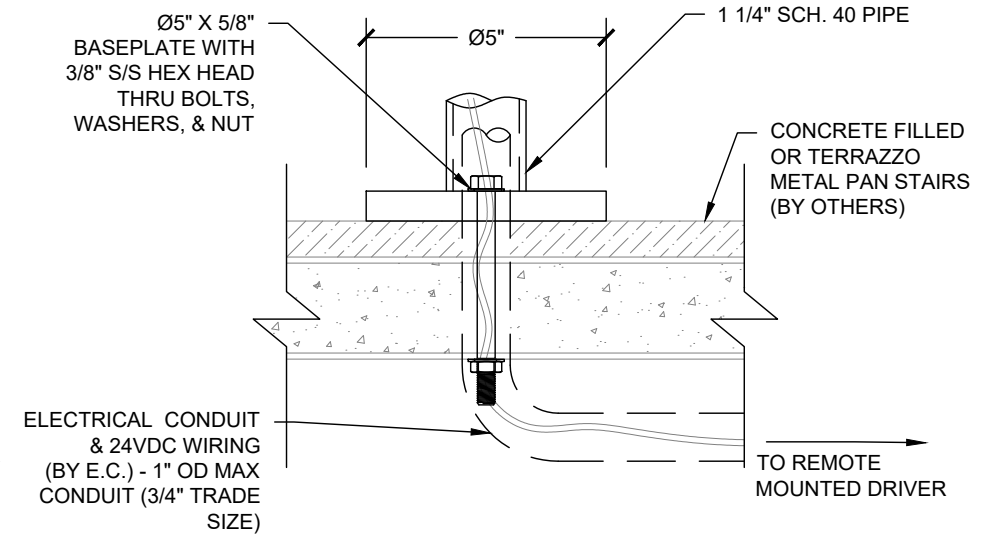
PROJECT:
LED HANDRAIL
TYPICAL DETAILS
LOCATION:
MINNEAPOLIS, MN



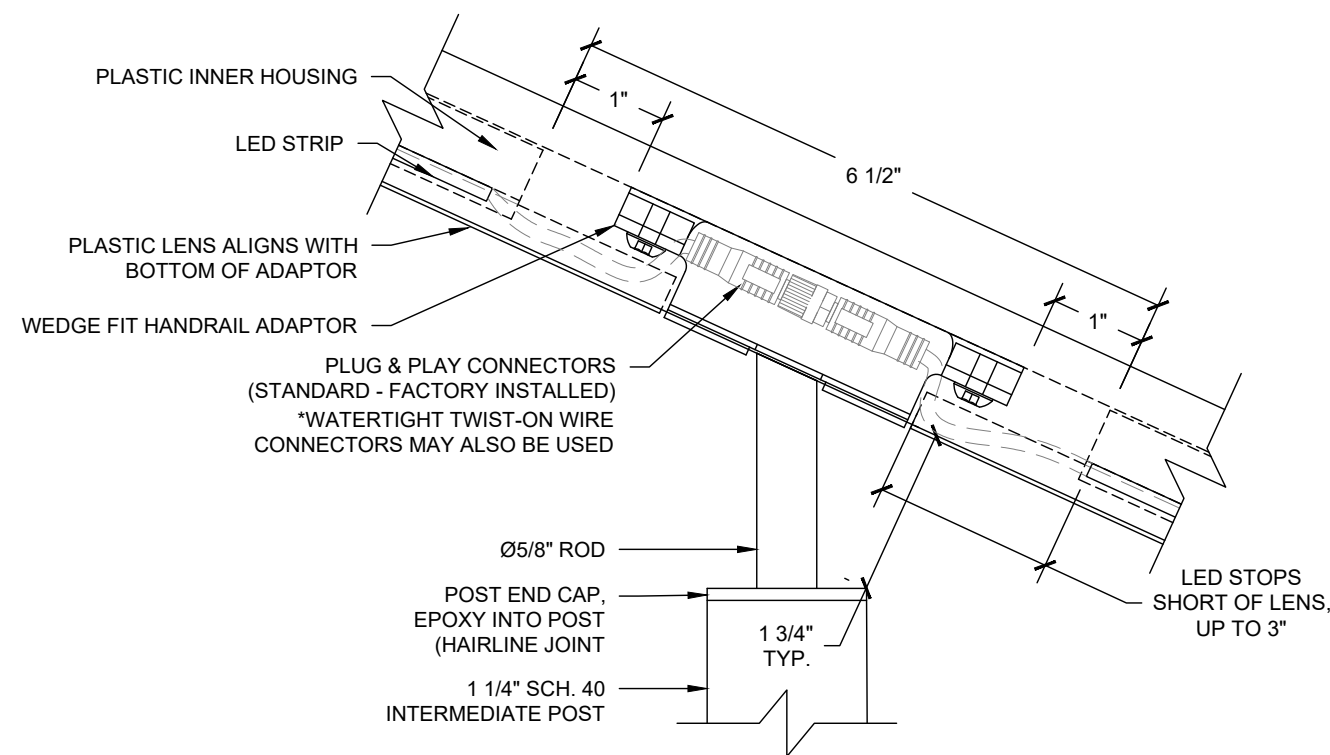
A1 LED HANDRAIL CORE CONNECTION DETAIL
S2 SCALE:



A2 LED HANDRAIL BASEPLATE CONNECTION DETAIL
S2 SCALE: 3"=1'-0"



A3 LED HANDRAIL BASEPLATE CONNECTION DETAIL
S2 SCALE: 3"=1'-0"



B LED POST TOP CAP BRACKET DETAIL
S2 SCALE: 6"=1'-0"

*DIMENSIONS AND SPECIFICATIONS LISTED ARE FOR SIGHTLINE COMMERCIAL SOLUTIONS PRODUCTS STANDARD LED HANDRAIL. SEE SALES SHEET FOR OTHER AVAILABLE OPTIONS.

LED HANDRAIL - STRIP LIGHT
TYPICAL TREAD MOUNT RAIL DETAILS

DRAWN BY NBB	DATE 3/27/20
PROJECT NUMBER SALES	
SHEET NUMBER SCS-LED-STRIP-FMHR-S2	

ITEM	DESCRIPTION	AUTH	DATE
------	-------------	------	------