

Classic Picket

Custom Picket Railing



The Classic picket railing system is available with a variety of vertical pickets or ornamental balusters, so you always get the desired look for your project. Flexible mounting methods allow Classic Rail to be used in nearly any location. Plus, there's a wide range of materials, finishes, colors and custom design options available to meet your facility requirements.



Classic Picket

Custom Picket Railing



Specifications

Material:	Aluminum, Stainless Steel, Steel
Finishes:	Aluminum: Anodized/High Performance Coatings/Architectural Powder Coat Stainless Steel: Brushed/Polished Steel: Galvanized/High Performance Coatings/Architectural Powder Coat
Height:	30", 36" or 42"
Post Spacing:	4' On Center
Frame:	Square Tube, Round Pipe, Flat Bar
Top Rail:	To match frame material and finish
Handrail:	Round Pipe (match frame material and finish)
Mount Type:	Top or Fascia w/ baseplates
Infill Options:	1/2" Round, 1/2" Square, or Custom Shape Pickets
Infill Configuration:	Horizontal or Vertical

*Custom options available

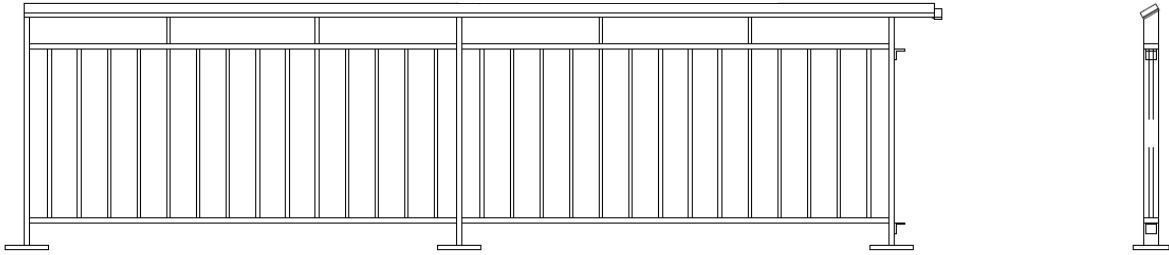
Classic Picket

Custom Picket Railing

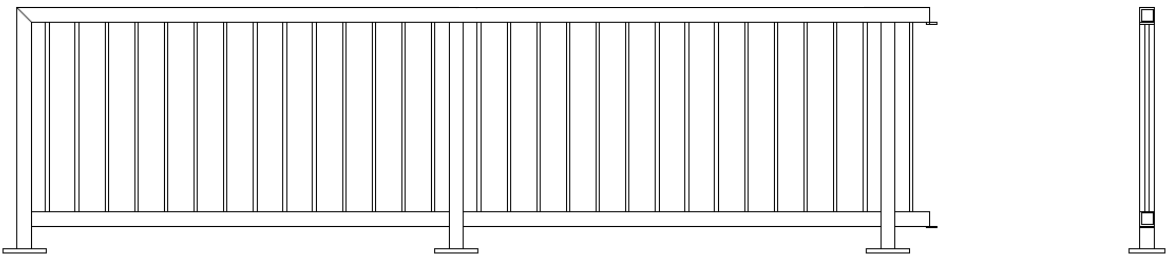


Frame Configurations

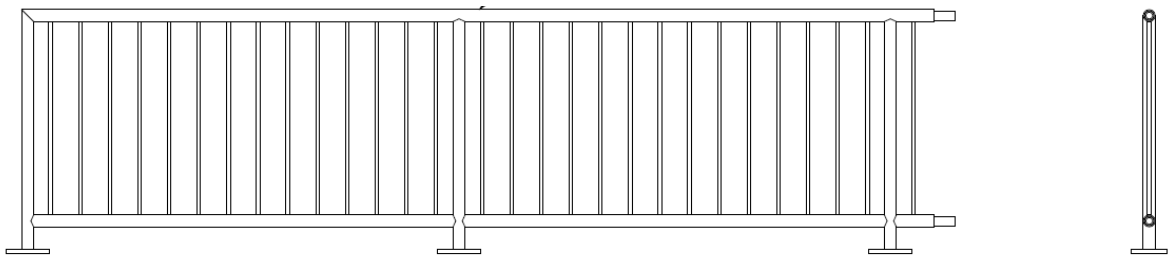
Flat Bar Frame



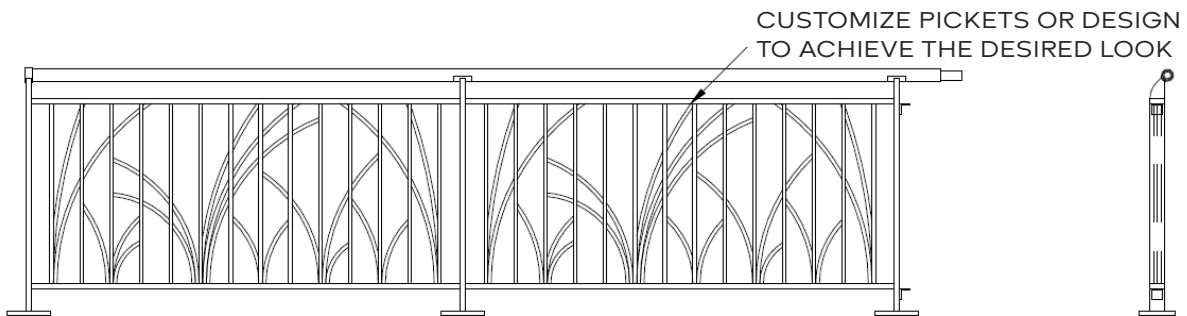
Square Tube Frame



Round Pipe Frame



Custom Frames



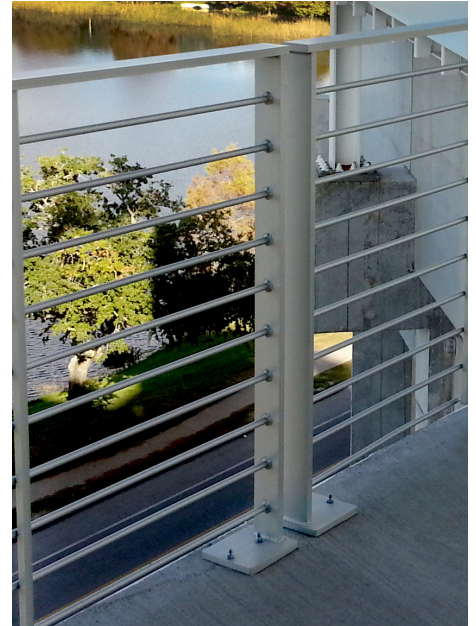
Classic Picket

Custom Picket Railing

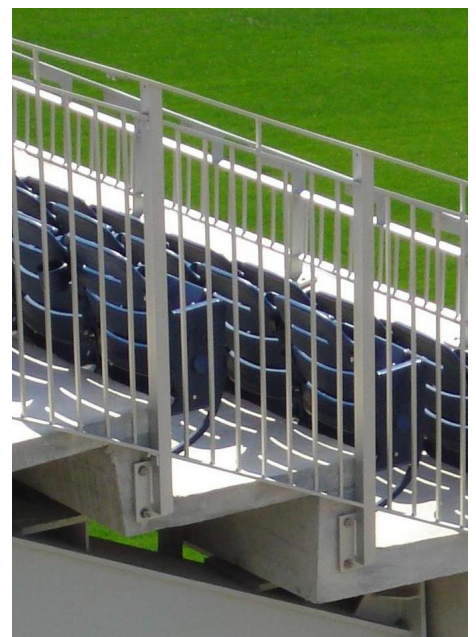


Mounting Options

Top Mount



Fascia Mount

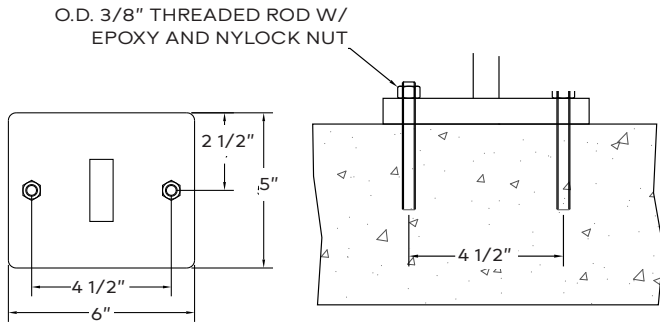


Classic Picket

Custom Picket Railing

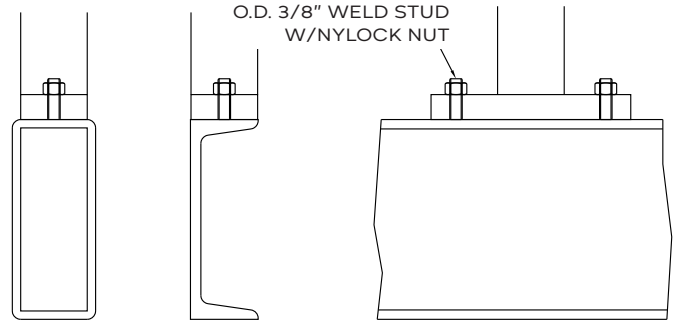


Top Mount Base Plate



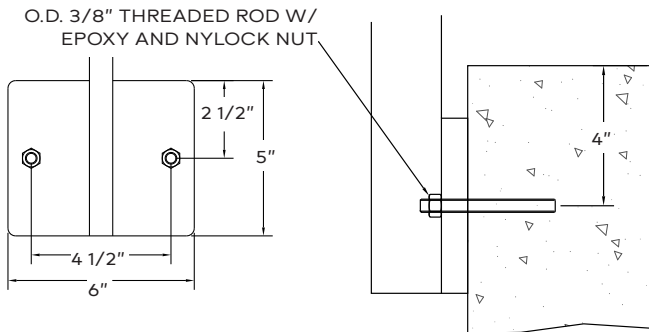
Dimensions dependent on geometry.

Stringer Mount



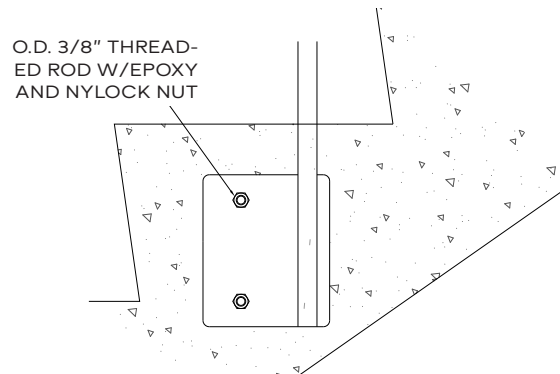
Dimensions dependent on geometry.

Fascia Mount Base Plate



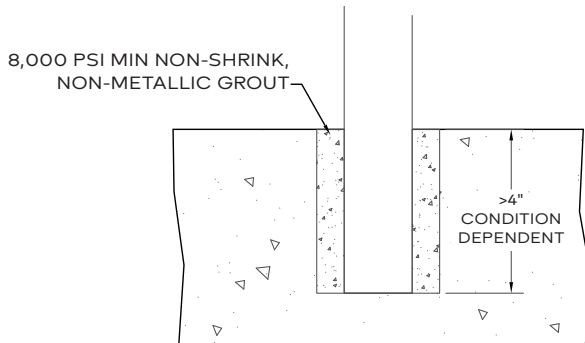
Dimensions dependent on geometry.

Fascia Mount Stair Base Plate



Dimensions dependent on geometry.

Core Mount



Notes:

Railings can be mounted to concrete or steel.
Anchor size/Type may vary due to field conditions.

