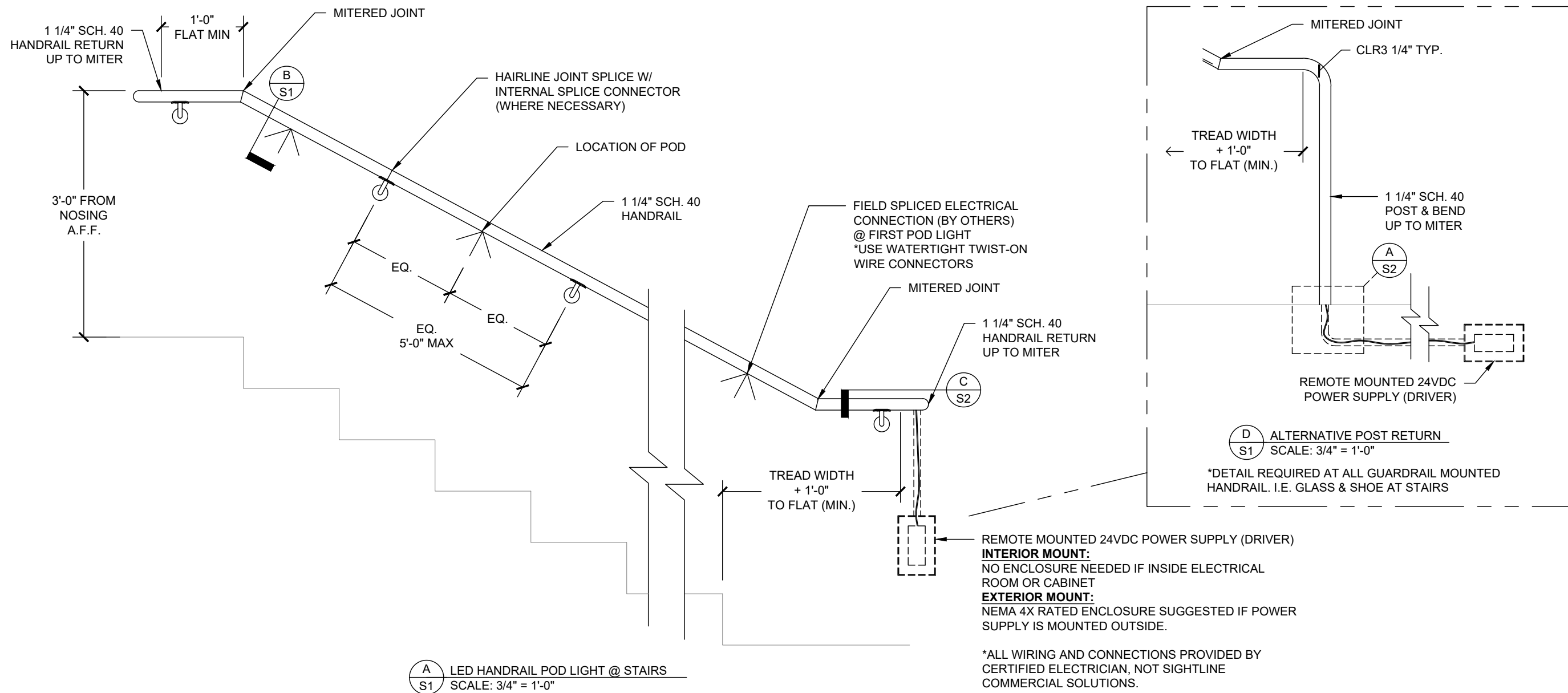
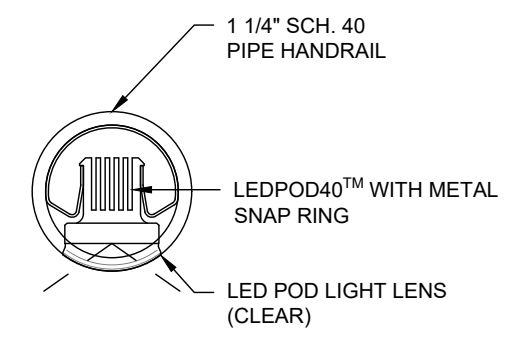


**PROJECT INFORMATION**

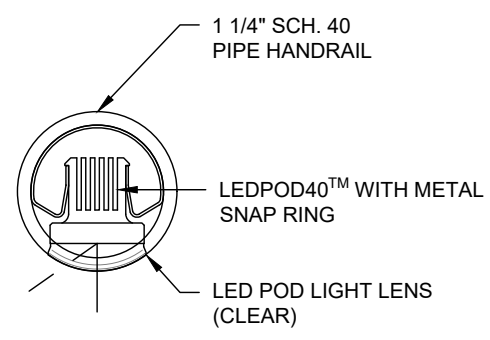
PROJECT:  
LED HANDRAIL  
TYPICAL DETAILS  
LOCATION:  
MINNEAPOLIS, MN



**A** LED HANDRAIL POD LIGHT @ STAIRS  
SCALE: 3/4" = 1'-0"



**B1** LED POD LIGHT SECTION - SYMMETRIC  
SCALE: 6"=1'-0"



**B2** LED POD LIGHT SECTION - ASYMMETRIC  
SCALE: 6"=1'-0"

**LED POD LIGHT SPECS**

LEDPOD40™  
 INPUT VOLTAGE: 24VDC  
 POWER CONSUMPTION: 2.0 WATTS/POD  
 MAX. FLUX: 145 LUMENS/POD  
 COLOR: WARM WHITE - 3000K  
 BEAM ANGLE: 110° (SYMMETRIC)  
                   55° (ASYMMETRIC)  
 DIMMABLE: YES (0-10V)  
 LENS: CLEAR  
 CRI: 80-85  
 LIFESPAN: UP TO 50,000 HRS  
 SUITABLE USES: IP 65 (DRY OR DAMP LOCATIONS)  
 CERTIFICATIONS: UL, cUL  
 WARRANTY: 5 YEARS

**POWER SUPPLY (DRIVER) SPECS**

INPUT VOLTAGE: 110-277VAC  
 INPUT Hz: 50-60 Hz  
 OUTPUT VOLTAGE: 24VDC  
 OUTPUT WATTS (MAX): 96 WATTS (or) 2x 96 WATTS  
 OUTPUT WATTS (80%): 76 WATTS  
 OUTPUT CURRENT: 4 AMPS  
 DIMMABLE: YES (0-10V)  
 OPERATING TEMPS:-40 TO 120 DEGREES  
 CLASS RATING: CLASS 2  
 INTEGRATED WIRE COMPARTMENT  
 SUITABLE USES: IP 67 (DRY OR WET LOCATIONS)  
 CERTIFICATIONS: UL, RoHS  
 WARRANTY: 5 YEARS

ELECTRICAL COMPONENTS MANUFACTURED BY KLIK USA (POD) & Q-TRAN INC. (DRIVER)

\*DIMENSIONS AND SPECIFICATIONS LISTED ARE FOR SIGHTLINE COMMERCIAL SOLUTIONS PRODUCTS STANDARD LED HANDRAIL. SEE SALES SHEET FOR OTHER AVAILABLE OPTIONS.

LED HANDRAIL - POD LIGHT  
TYPICAL WALL MOUNT RAIL DETAILS

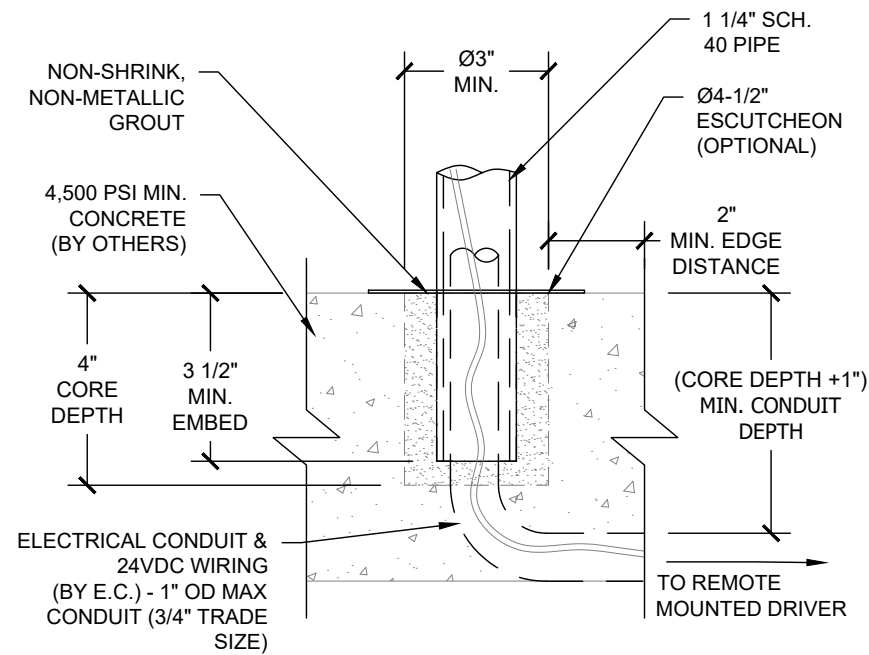
ITEM	DESCRIPTION	AUTH	DATE

DRAWN BY NBB	DATE 3/27/20
PROJECT NUMBER SALES	
SHEET NUMBER SCS-LED-POD-WMHR-S1	

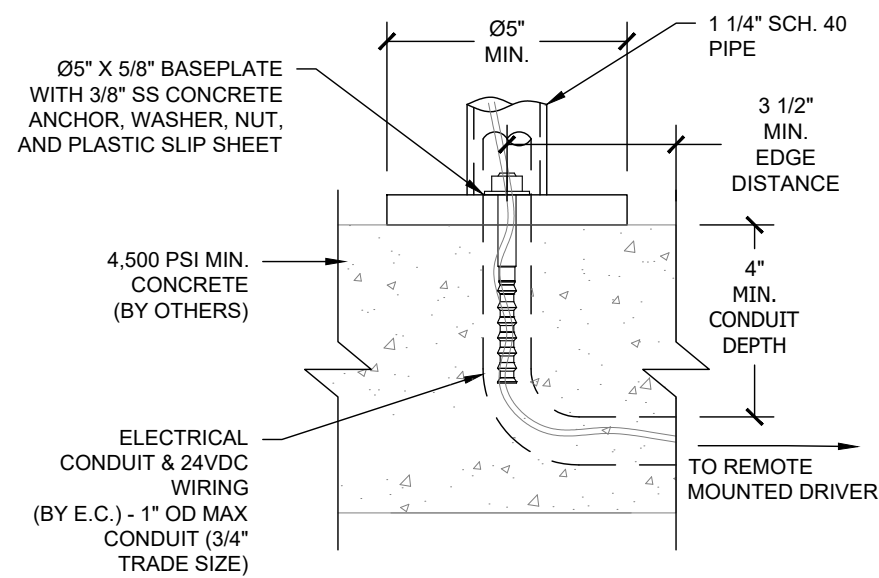
**PROJECT INFORMATION**

PROJECT:  
LED HANDRAIL  
TYPICAL DETAILS  
LOCATION:  
MINNEAPOLIS, MN

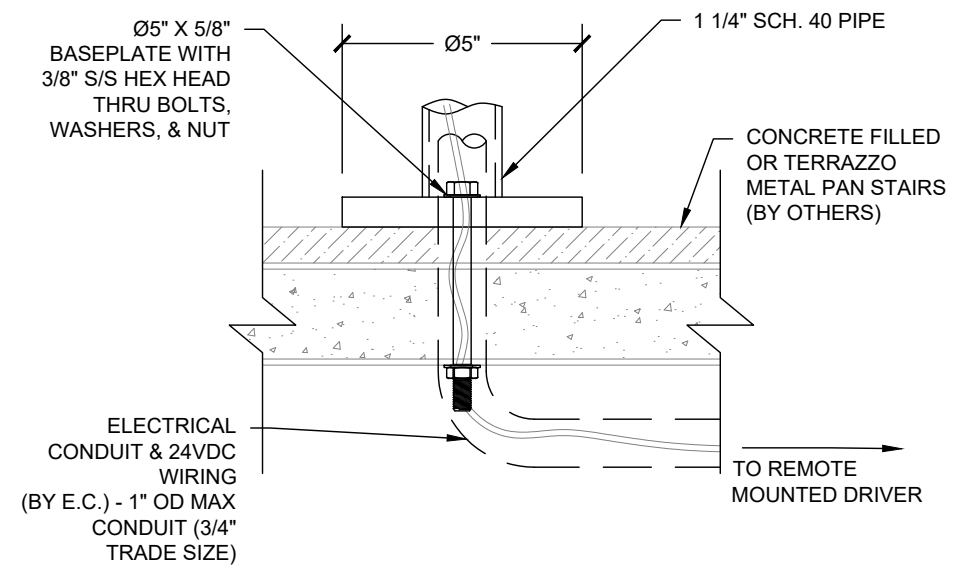
**LED HANDRAIL - POD LIGHT  
TYPICAL WALL MOUNT RAIL DETAILS**



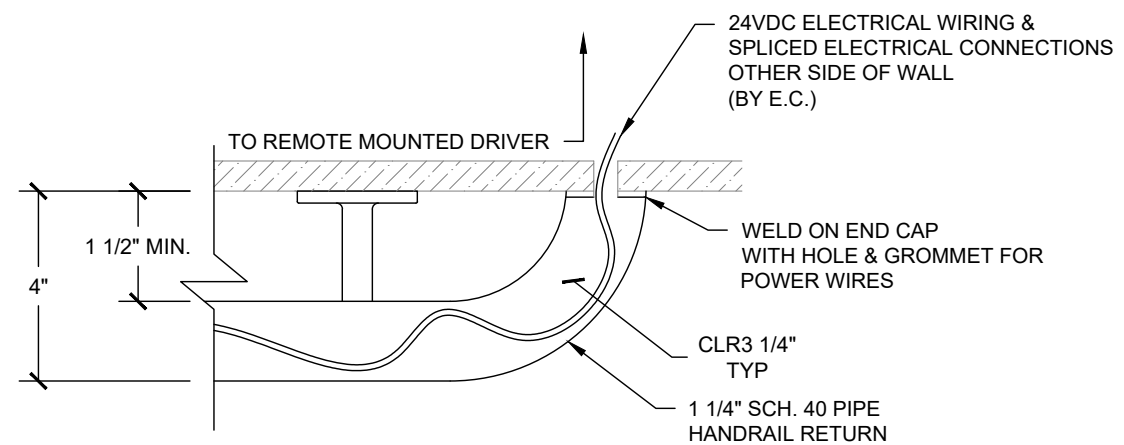
**A1** LED HANDRAIL CORE CONNECTION DETAIL  
**S2** SCALE:



**A2** LED HANDRAIL BASEPLATE CONNECTION DETAIL  
**S2** SCALE: 3"=1'-0"



**A3** LED HANDRAIL BASEPLATE CONNECTION DETAIL  
**S2** SCALE: 3"=1'-0"



**C** LED HANDRAIL WALL CONNECTION DETAIL  
**S2** SCALE: 3"=1'-0"

\*DIMENSIONS AND SPECIFICATIONS LISTED ARE FOR SIGHTLINE COMMERCIAL SOLUTIONS PRODUCTS STANDARD LED HANDRAIL. SEE SALES SHEET FOR OTHER AVAILABLE OPTIONS.

DRAWN BY NBB	DATE 3/27/20
PROJECT NUMBER SALES	
SHEET NUMBER SCS-LED-POD-WMHR-S2	

ITEM	DESCRIPTION	AUTH	DATE
------	-------------	------	------