

SC9600 Bridge Supports

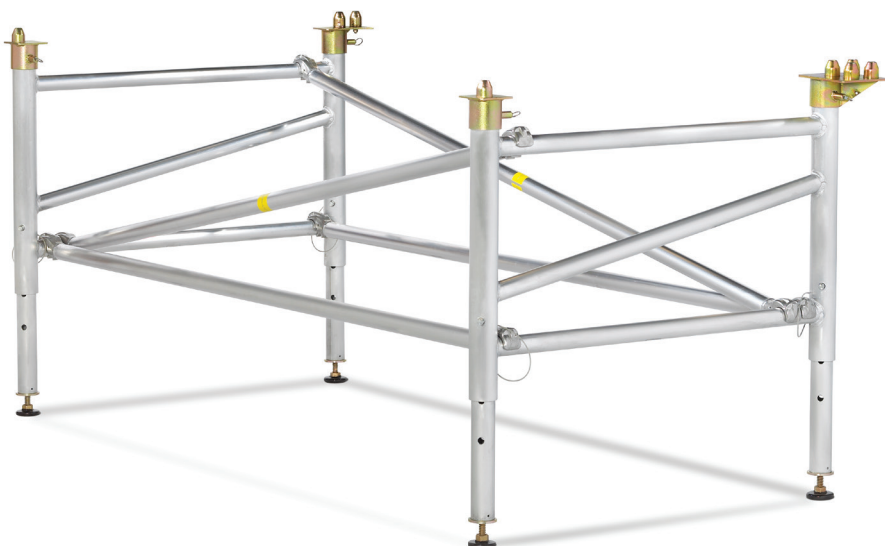


Understructure

For quick, easy setup with the strength and durability that is standard with all Sightline Commercial Solutions' products, use the SC9600 Bridge Support System. This system "bridges" platforms from right to left and front to back. The SC9600 Bridge Support System consists of two end frames that lock together with both horizontal and diagonal snap bracing for ultimate support. The SC9600 is available in fixed or two adjustable height versions: All-Terrain Style and Arena Style.

The All-Terrain Style is great for outdoor use on uneven ground. The interior tubes, which telescope downward from the bottom of the frame, allow each of the legs to be set at different heights.

The Arena Style adjusts with interior tubes that telescope upward from the top of the frame. This design allows the platform height to be adjusted quickly, with the frames in place.



SC9600 Bridge Supports



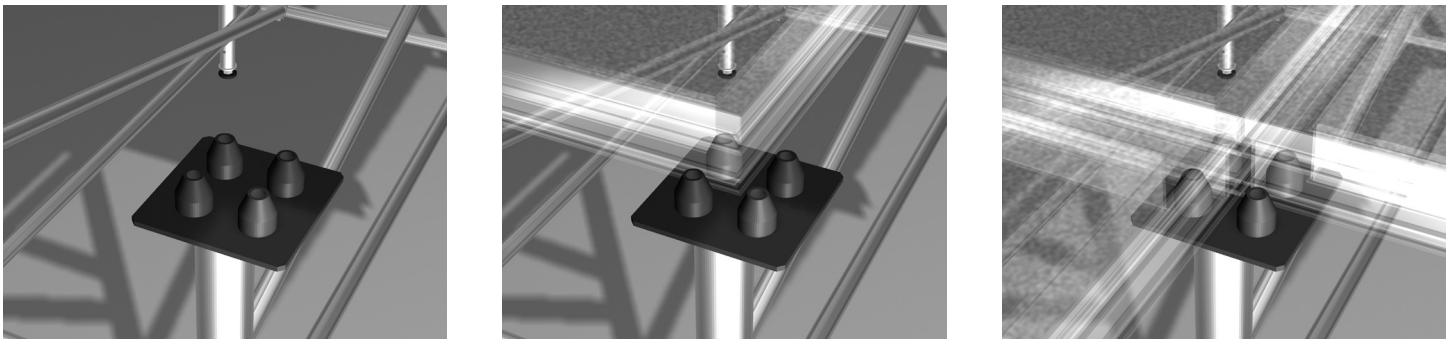
Understructure

Advantages

"Bridge" platforms front to back and side to side, resulting in fewer supports for fast setup and strike. Horizontal and diagonal braces "snap" into place with snap hooks for quick and simple assembly.

Locator nodes lock into place on each column and automatically align platforms; no need for readjustments. Setup easily by two people with no special tools.

For use with all Sightline Commercial Solutions Platforms.



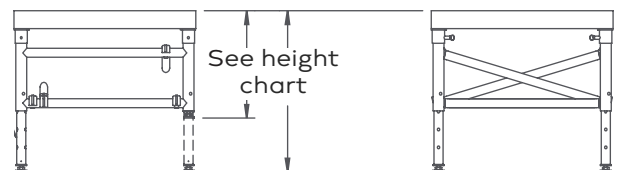
Technical Specifications

Adjustable heights:

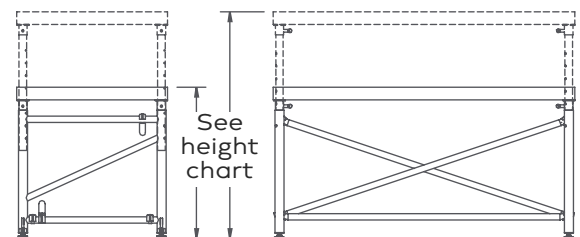
24" - 36" (610 mm - 914 mm)	76 lb/34.5 kg
36" - 54" (914 mm - 1372 mm)	91 lb/41.3 kg
48" - 76" (1219 mm - 1930 mm)	106 lb/48.1 kg

Additional custom heights available

- Adjust course height by 4" (102 mm) increments using a 5/8" (16 mm) locking pin. 3" (76 mm) additional fine height adjustment through use of integral acme thread adjustable screw foot.
- Capable of being erected without use of tools.
- Main vertical members: 2-1/2" (64 mm), Schedule 40, 6005A-T61 aluminum pipe
- Telescoping columns: 2" (51 mm) Schedule 80, 6005A-T61 aluminum tubing
- Cross-bracing: 2" (51 mm) OD 6005A-T61 aluminum pipe with snap hook attachment.
- Finish Options: Mill Aluminum, powder coat, anodize



All-Terrain Style



Arena Style