

# Equinox™

## Glass & Post Railing System



The defined, clean lines of the Equinox™ railing system amplify the best features of glass railing with an innovative rod-and-disc assembly that features zero visible fasteners. Featuring the strength and sleek, modern aesthetic of premium stainless steel, the Equinox™ system offers customizable post, top rail and handrail options to create even more distinct design possibilities for contemporary spaces that are truly one-of-a-kind.



*Photo: Time Frame Images*





### Specifications

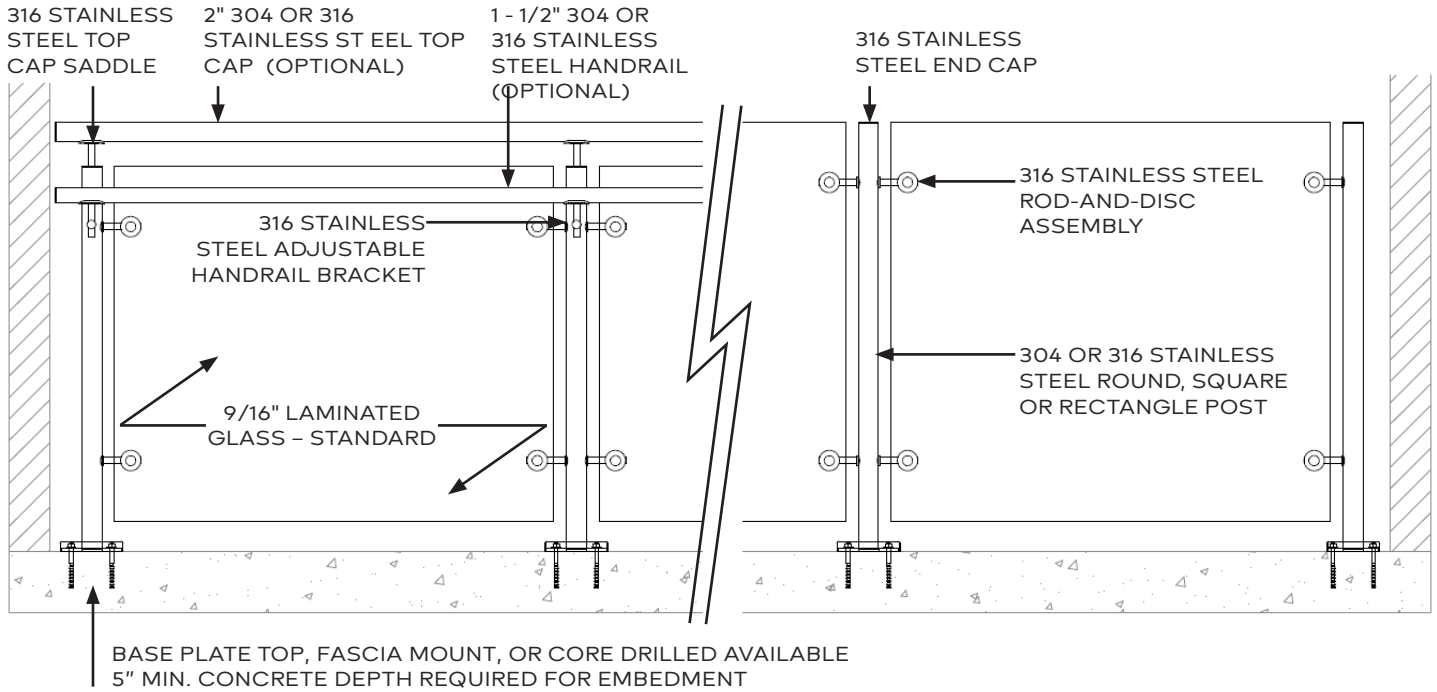
Material:	304 or 316 stainless steel posts - 316 stainless steel fittings
Height:	43" Guardrail, 36" Handrail
Post spacing:	4' On Center
Post Mount Type:	Top or fascia mount
Top Rail:	2" dia. 304 or 316 stainless steel with circumferential #4 finish
Post:	2" dia. 304 or 316 Stainless steel with circumferential #4 brushed finish
Fittings:	Rod-and-Disc style, 304 or 316 stainless steel fittings brushed finish
Handrail:	1.5" dia. 304 or 316 stainless steel with circumferential #4 brushed finish
Infill options:	Glass: 9/16" laminated glass – Standard -IBC 2015 and newer requires laminated glass in railings

\*Custom options available

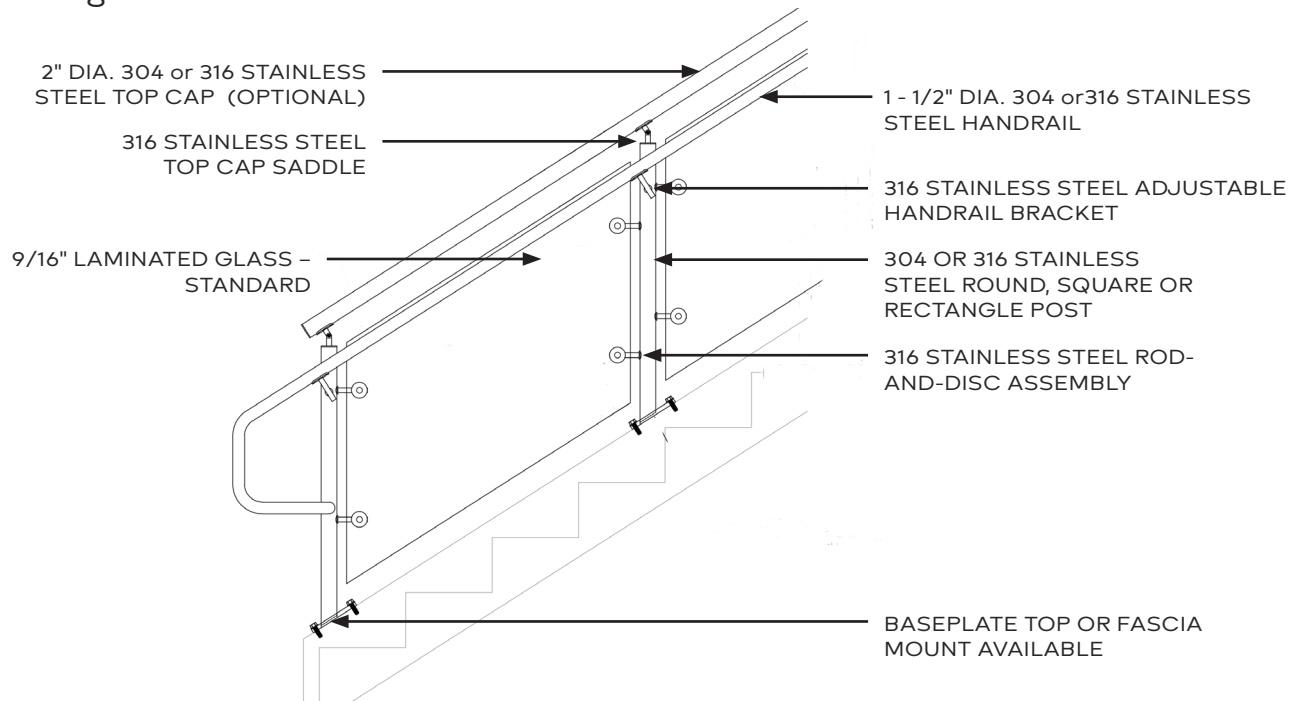
### Overlook Configuration

#### Handrail and Top Cap Configuration

#### Standard Configuration



### Stair Configuration





Top mounted round post with optional handrail on overlook



Rectangle post and stainless steel top rail

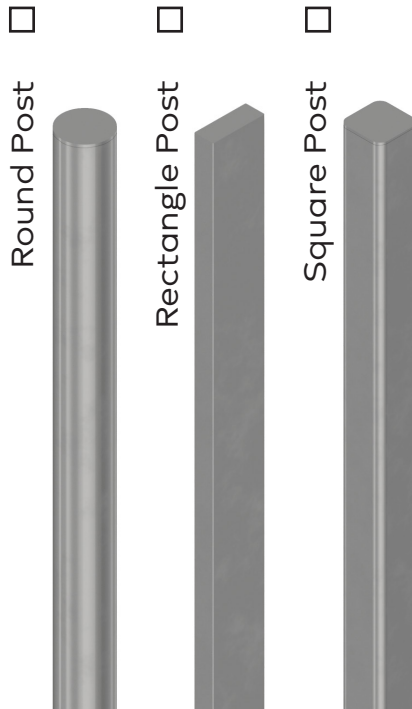
### Post Material

(Check one)

- 304 Stainless Steel
- 316 Stainless Steel

### Post Style

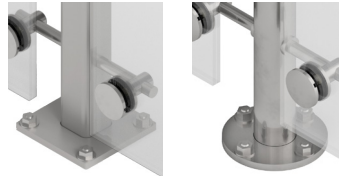
(Check one)



### Post Mounting

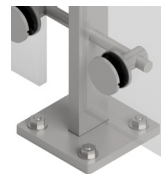
(Check one)

- Top Mount



Square Post

Round Post



Rectangle Post

- Fascia Mount

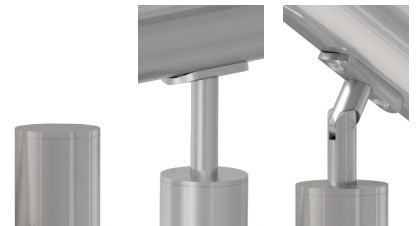


### Top Rail Attachments

(Check one based on post style choice - if applicable to project)

- None
- Fixed
- Pivoting

Round Post



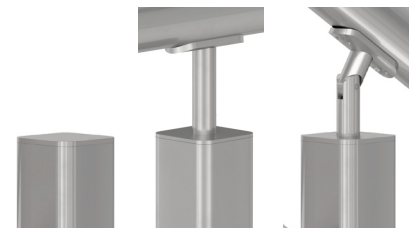
- None
- Fixed
- Pivoting

Rectangle Post

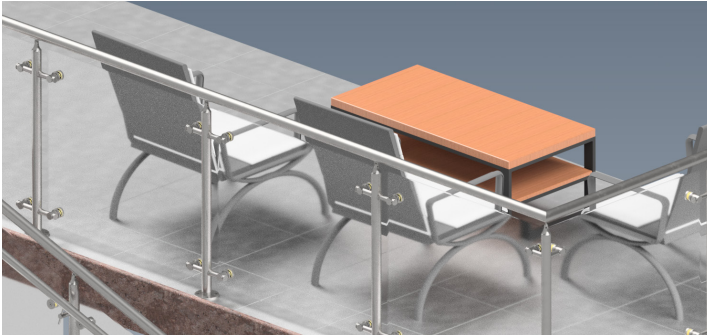


- None
- Fixed
- Pivoting

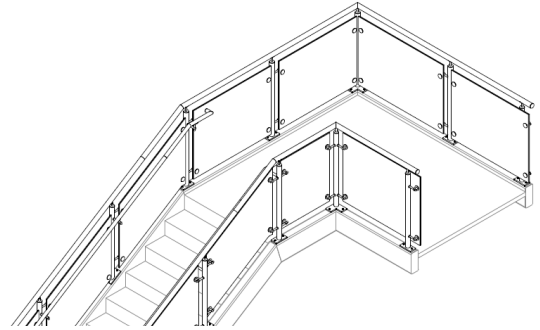
Square Post







Overlook with round posts and fixed top rail



Landing with top rail transitioning to stair with handrail and top rail

### Glass Mounting

Application is project specific

#### Level: Rod-and-Disk



#### Stair: Rod-and-Disk



### Handrail Brackets

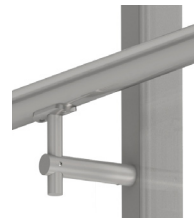
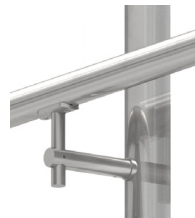
Required on stair applications

#### Fixed Standoff (Check one)

Round Post

Square Post

Rectangle Post



#### Pivoting Standoff (Check one)

Round Post

Square Post

Rectangle Post



#### Wall Mounted (Check one)

Wall Mount  
(Concrete)

Wall Mount  
(Wood)

