

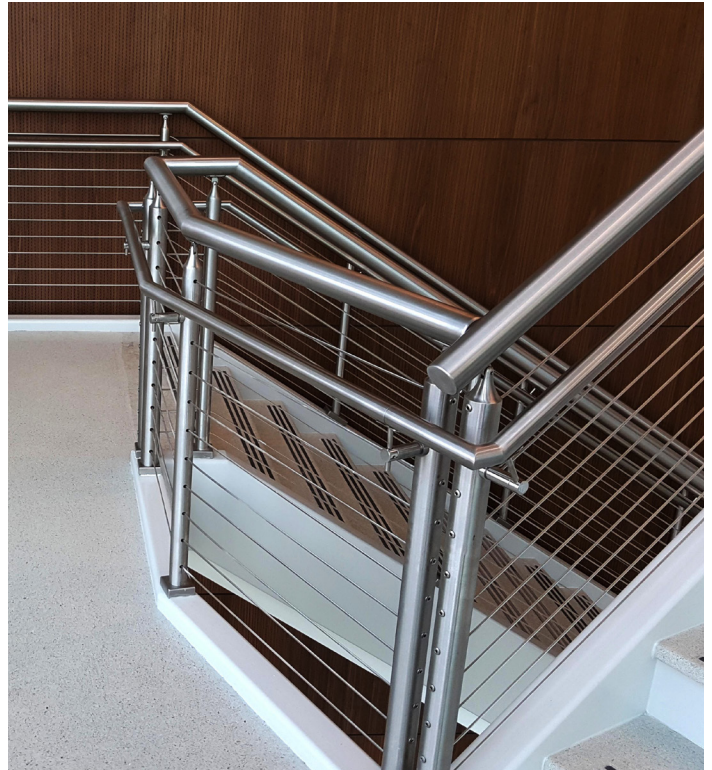
Casino™

Cable Railing System



Casino™ cable railing system showcases a 316 stainless steel cable infill with choice of stainless steel or wood top cap. This system features stainless steel end caps, round posts, and fittings.



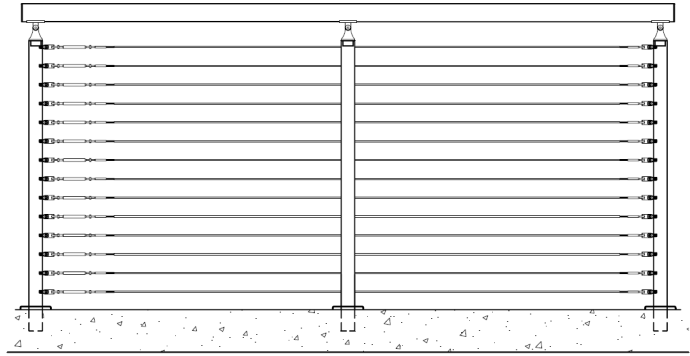
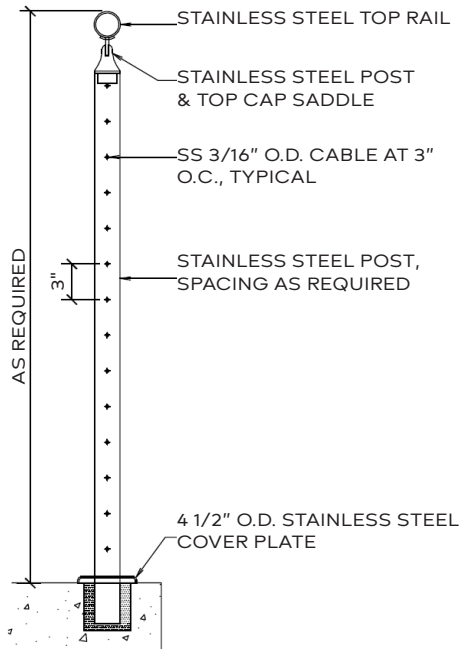


Specifications

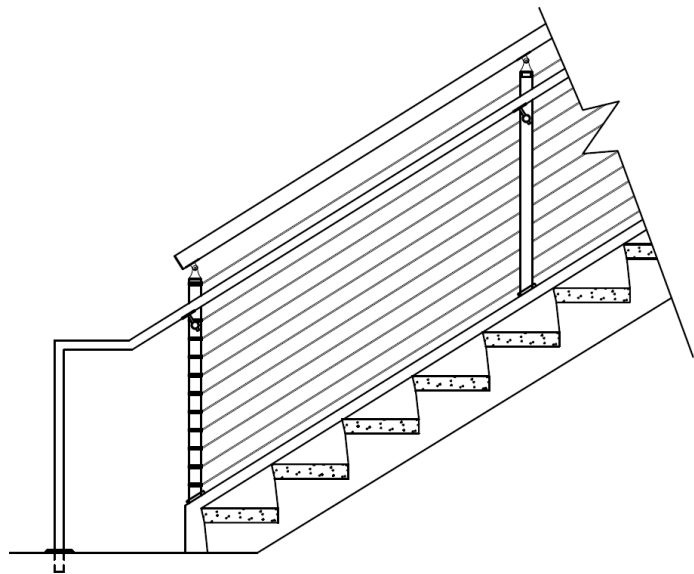
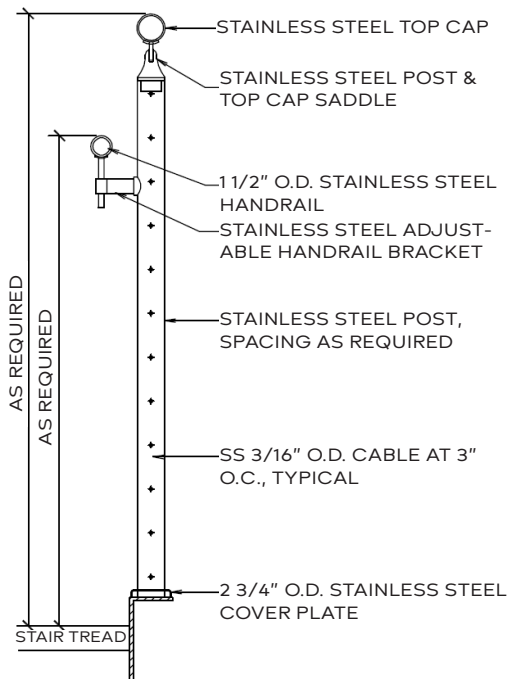
Material:	Stainless Steel or wood top cap
Height:	43" Guardrail, 36" Handrail
Post Spacing:	4' On Center
Mount Type:	Top Mount
Top Rail:	Stainless steel - 2.5" dia. with circumferential #4 finish Wood - 2.5" diameter using hard maple, oak or cherry (Custom Options Available)
Post:	2" dia. 304 or 316 Stainless steel with circumferential #4 brushed finish
Fittings:	304 or 316 stainless steel fittings brushed finish
Handrail:	1.5" dia. 304 or 316 stainless steel with circumferential #4 brushed finish
Infill options:	3/16" diameter stainless steel Cable

*Custom options available

Configuration

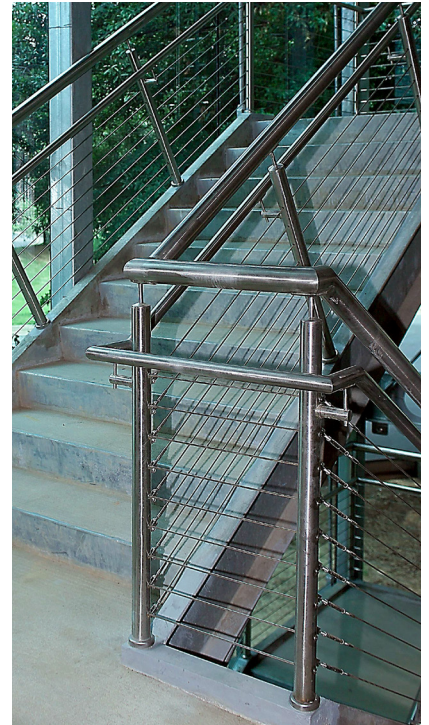


Handrail Configuration



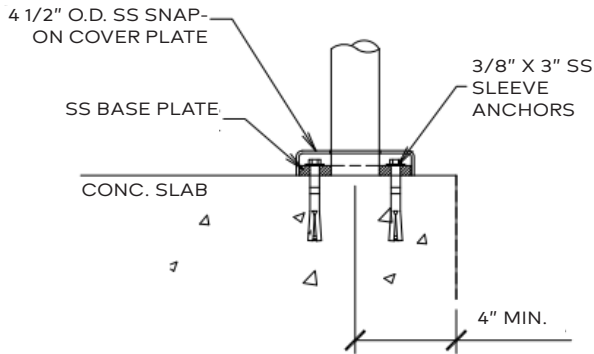
Casino™

Cable Railing System

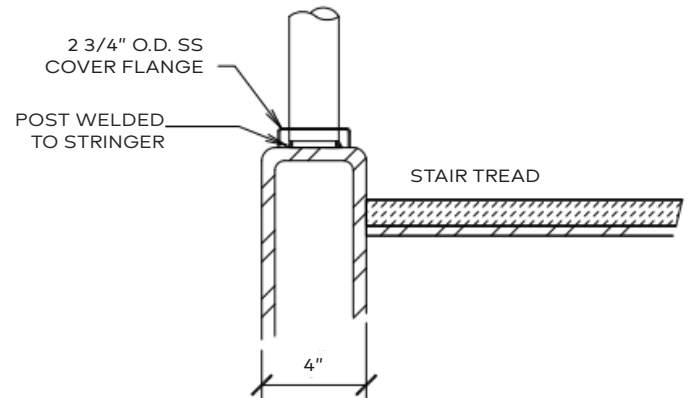


Mounting Options

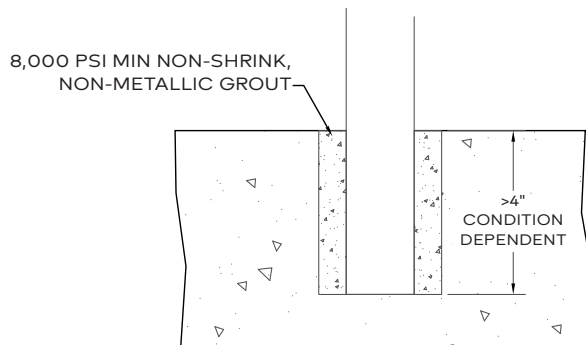
Top Mount Base Plate



Stringer Mount



Core Mount



Notes:

Railings can be mounted to concrete or steel.
Anchor size/Type may vary due to project conditions.