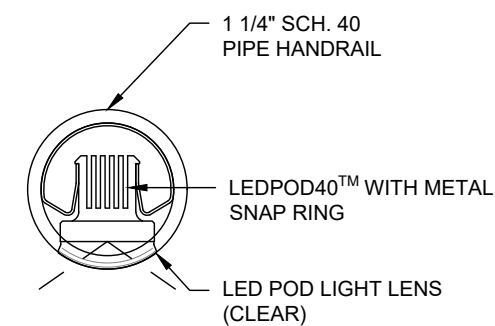
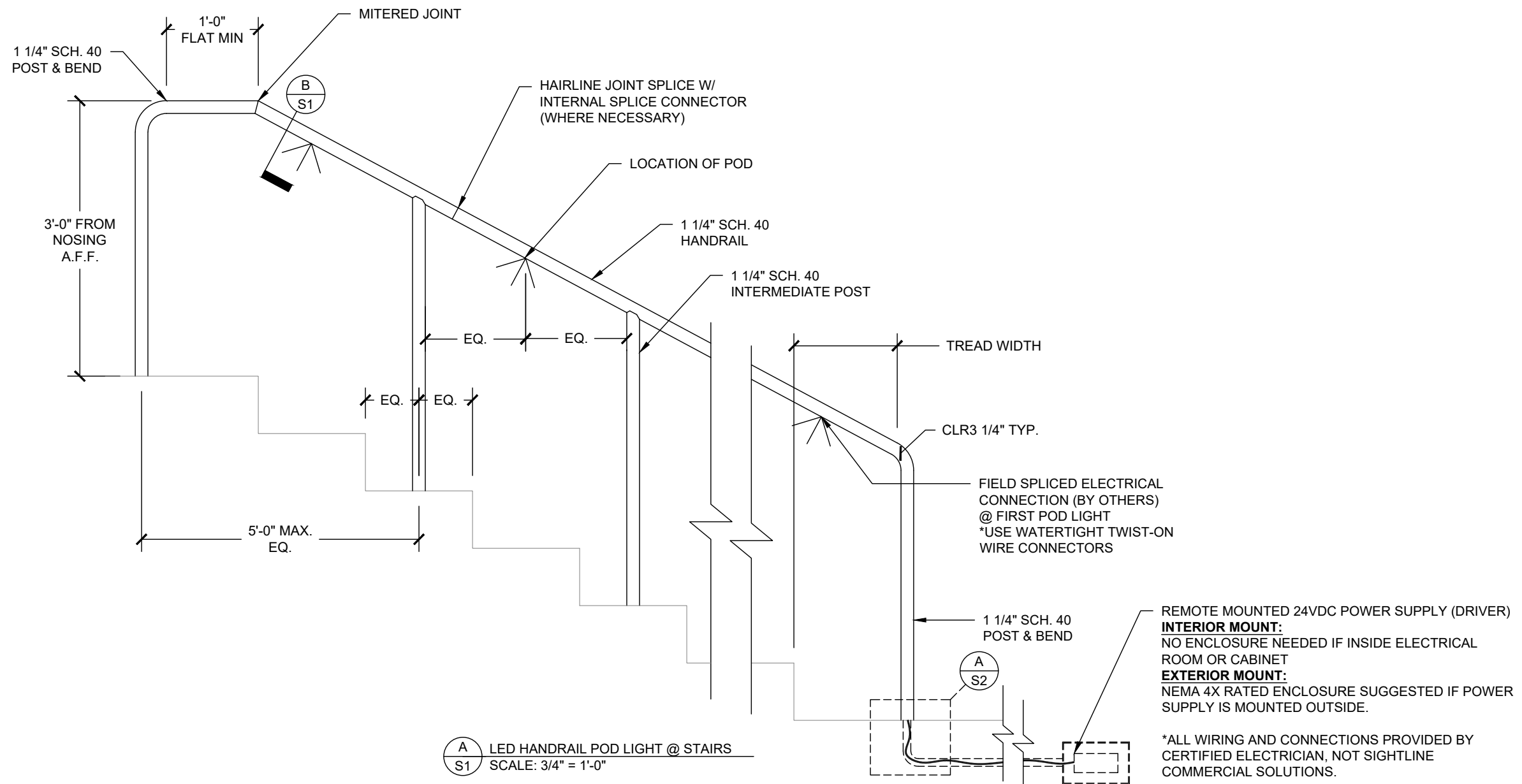
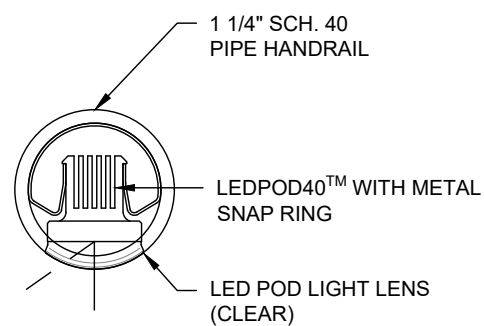


**PROJECT INFORMATION**

PROJECT:  
LED HANDRAIL  
TYPICAL DETAILS  
LOCATION:  
MINNEAPOLIS, MN



**B1** LED POD LIGHT SECTION - SYMMETRIC  
SCALE: 6"=1'-0"



**B2** LED POD LIGHT SECTION - ASYMMETRIC  
SCALE: 6"=1'-0"

**LED POD LIGHT SPECS**

LEDPOD40™  
INPUT VOLTAGE: 24VDC  
POWER CONSUMPTION: 2.0 WATTS/POD  
MAX. FLUX: 145 LUMENS/POD  
COLOR: WARM WHITE - 3000K  
BEAM ANGLE: 110° (SYMMETRIC)  
55° (ASYMMETRIC)  
DIMMABLE: YES (0-10V)  
LENS: CLEAR  
CRI: 80-85  
LIFESPAN: UP TO 50,000 HRS  
SUITABLE USES: IP 65 (DRY OR DAMP LOCATIONS)  
CERTIFICATIONS: UL, cUL  
WARRANTY: 5 YEARS

**POWER SUPPLY (DRIVER) SPECS**

INPUT VOLTAGE: 110-277VAC  
INPUT Hz: 50-60 Hz  
OUTPUT VOLTAGE: 24VDC  
OUTPUT WATTS (MAX): 96 WATTS (or) 2x 96 WATTS  
OUTPUT WATTS (80%): 76 WATTS  
OUTPUT CURRENT: 4 AMPS  
DIMMABLE: YES (0-10V)  
OPERATING TEMPS:-40 TO 120 DEGREES  
CLASS RATING: CLASS 2  
INTEGRATED WIRE COMPARTMENT  
SUITABLE USES: IP 67 (DRY OR WET LOCATIONS)  
CERTIFICATIONS: UL, RoHS  
WARRANTY: 5 YEARS

ELECTRICAL COMPONENTS MANUFACTURED BY KLIK USA (POD) & Q-TRAN INC. (DRIVER)

\*DIMENSIONS AND SPECIFICATIONS LISTED ARE FOR SIGHTLINE COMMERCIAL SOLUTIONS PRODUCTS STANDARD LED HANDRAIL. SEE SALES SHEET FOR OTHER AVAILABLE OPTIONS.

LED HANDRAIL - POD LIGHT  
TYPICAL TREAD MOUNT RAIL DETAILS

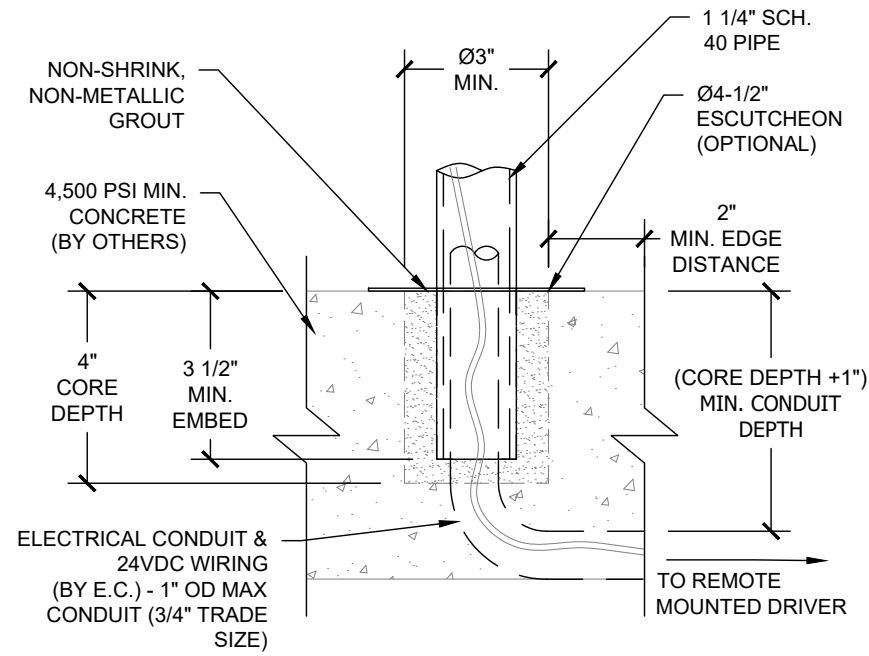
ITEM	DESCRIPTION	AUTH	DATE

DRAWN BY NBB	DATE 3/27/20
PROJECT NUMBER SALES	
SHEET NUMBER SCS-LED-POD-FMHR-S1	

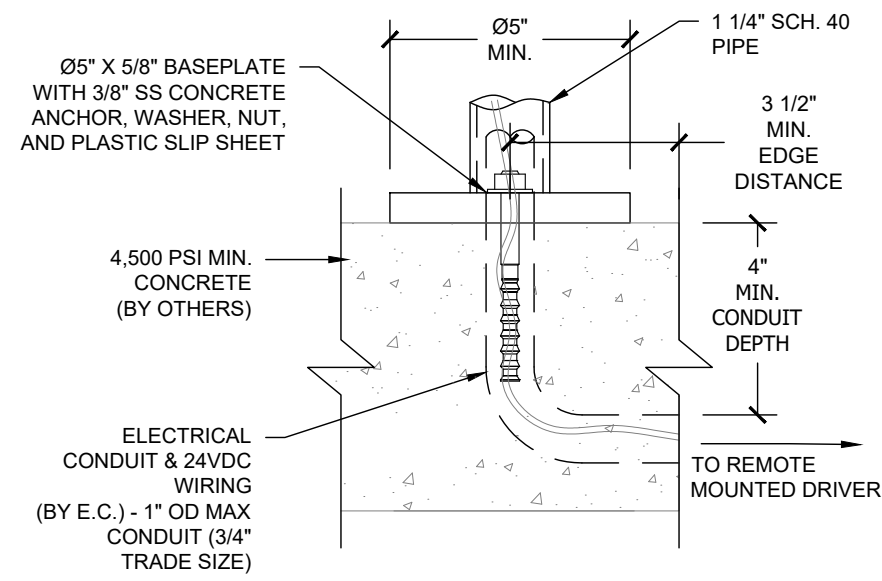
**PROJECT INFORMATION**

PROJECT:  
LED HANDRAIL  
TYPICAL DETAILS  
LOCATION:  
MINNEAPOLIS, MN

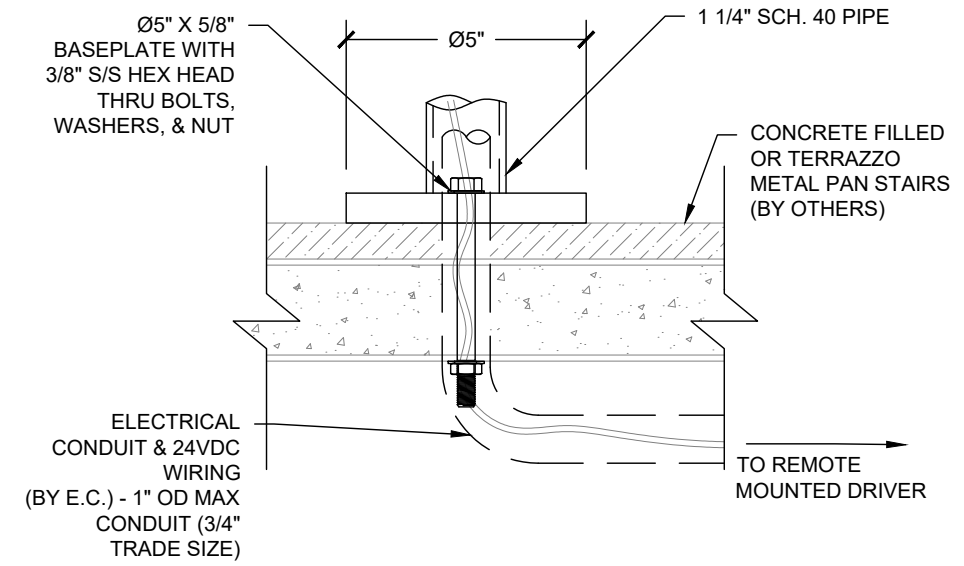
LED HANDRAIL - POD LIGHT  
TYPICAL TREAD MOUNT RAIL DETAILS



**A1** LED HANDRAIL CORE CONNECTION DETAIL  
**S2** SCALE:



**A2** LED HANDRAIL BASEPLATE CONNECTION DETAIL  
**S2** SCALE: 3"=1'-0"



**A3** LED HANDRAIL BASEPLATE CONNECTION DETAIL  
**S2** SCALE: 3"=1'-0"

\*DIMENSIONS AND SPECIFICATIONS LISTED ARE FOR SIGHTLINE COMMERCIAL SOLUTIONS PRODUCTS STANDARD LED HANDRAIL. SEE SALES SHEET FOR OTHER AVAILABLE OPTIONS.

ITEM	DESCRIPTION	AUTH	DATE

DRAWN BY NBB	DATE 3/27/20
PROJECT NUMBER SALES	
SHEET NUMBER SCS-LED-POD-FMHR-S2	