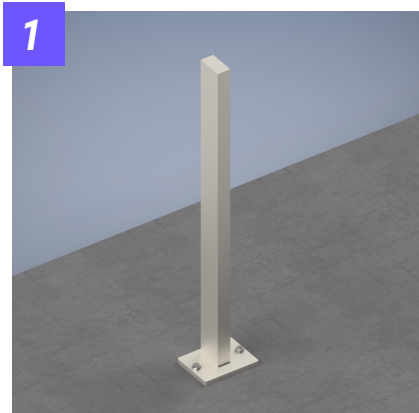


Glass Windscreen System Standard Installation (video available at www.sightlinecommercial.com)

Ascent™, a post-supported glass windscreen designed for commercial exterior use, delivers unobstructed views while also diverting wind to create a more enjoyable environment and outdoor experience. Designed to withstand 80psf wind loads – eight times the amount of standard windscreens – Ascent™ is the ideal solution for protecting pools, outdoor dining areas and balconies from distracting winds. At a standard height of 6 ft., Sightline Commercial Solutions' Ascent™ Windscreen System provides extensive coverage for furniture and patrons; however, the product's height is completely customizable based on individual project needs. In addition, its snap-fit aluminum posts make for quick, safe and easy assembly.

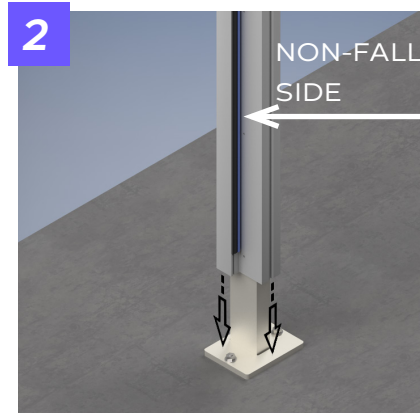


Glass Windscreen System Standard Installation (video available at www.sightlinecommercial.com)



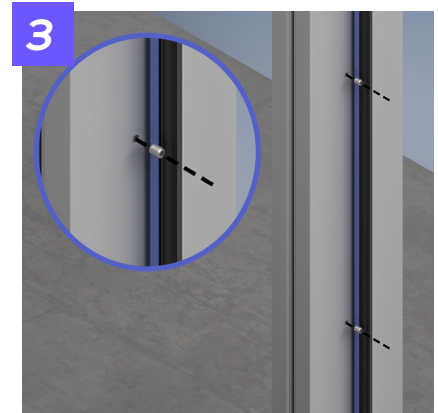
Attach steel stanchions to substrate as required to meet local code requirements.

Tip: Steel stanchions must be vertically aligned.



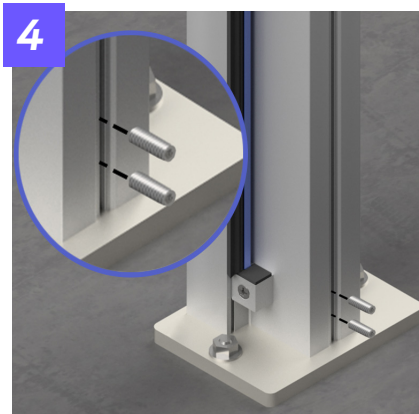
Slide aluminum snap-fit post over steel stanchions. The pre-installed gasket and glazing tape will be facing the non-fall side of the system.

Tip: Install optional baseplate eschutcheon cover at this time.

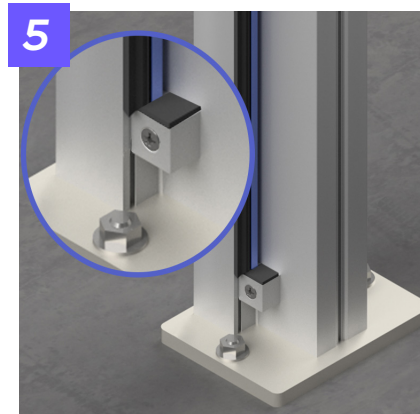


Install (4x) 1/4" X 3/8" hex drive stainless steel set screws into sides of aluminum post fastening aluminum post to steel stanchion.

Tip: Install one side hand tight, then install other side. Go back and tighten both sides until flush, and post is plumb.



*For mid & end posts only: Install (4x) 5/16" X 3/4" hex drive stainless steel set screws into non-fall side face of aluminum post fastening aluminum post to steel stanchion.



Verify aluminum setting blocks have neoprene pad on top.

TIP: Aluminum setting blocks come preinstalled, verify at proper height.



Remove protective blue film from pre-installed glazing tape to prepare for glass installation.

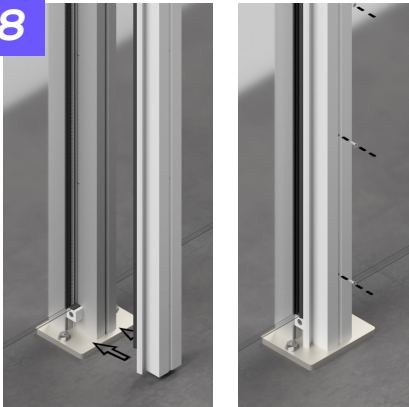
Glass Windscreen System Standard Installation (video available at www.sightlinecommercial.com)

7



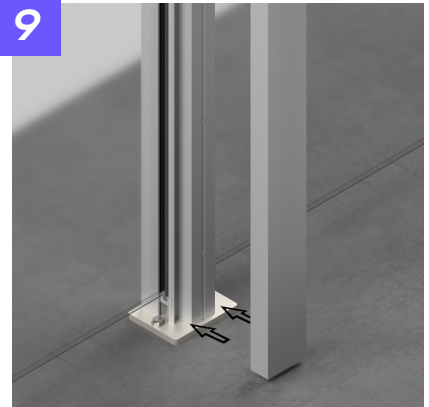
Install glass from non-fall side, set on top the neoprene setting block. Glass will adhere and be held in place by glazing tape. Ensure glass is at least 7/16" inset into channel.

8



Install snap-fit pressure plate onto aluminum post - securing glass in place. Install #10 X 5/8" stainless steel phillips drive flat head screws into aluminum post at pre-drilled locations in pressure plate.

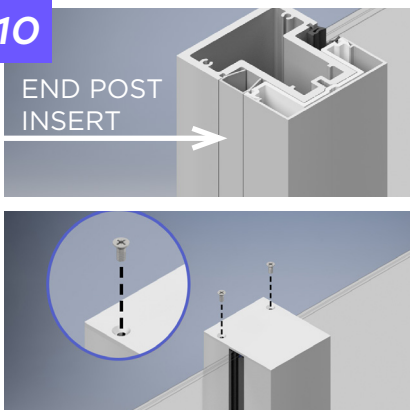
9



Place snap-fit cover onto the pressure plate.

Tip: Will hear a click or snap when fully installed.

10



Apply silicone sealant to top of posts, then secure post top cap via screws to finish off the system.

Tip: For end posts, snap in the end cap insert prior to installing top cap.

11



If optional top cap and/or bottom cap are required, adhere to top/bottom of glass with bead of silicone.

General notes:

- Apply medium strength (blue) Loctite to all hardware threads.
- Refer to project specific installation instructions for more details.

