

Gridguard™ mesh infill railing system is available in a variety of wire mesh panels, or other infill materials to achieve the desired look for your project. Flexible mounting methods allow for use in nearly any location. A variety of materials, finishes, colors, and infill attachment styles are available for use in the frame to meet your facility requirements.





Specifications

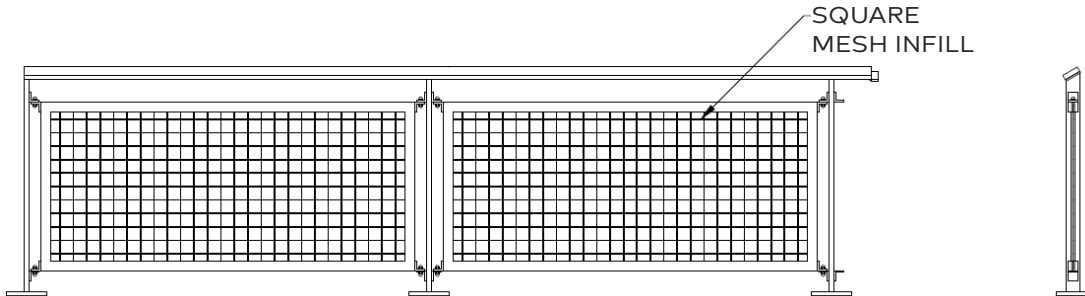
Material:	Aluminum, Stainless Steel, Steel
Finishes:	Aluminum: Anodized/High Performance Coatings/Architectural Powder Coat Stainless Steel: Brushed/Polished Steel: Galvanized/High Performance Coatings/Architectural Powder Coat
Height:	30", 36" or 42"
Post Spacing:	4' On Center
Frame:	Square Tube, Round Pipe, Flat Bar
Top Rail:	To match frame material and finish
Handrail:	Round Pipe (match frame material and finish)
Mount Type:	Top or Fascia w/ baseplates
Infill Options:	Wire Mesh, Expanded Metal, or Perforated panels (see detailed specs for sizes)

*Custom Options Available

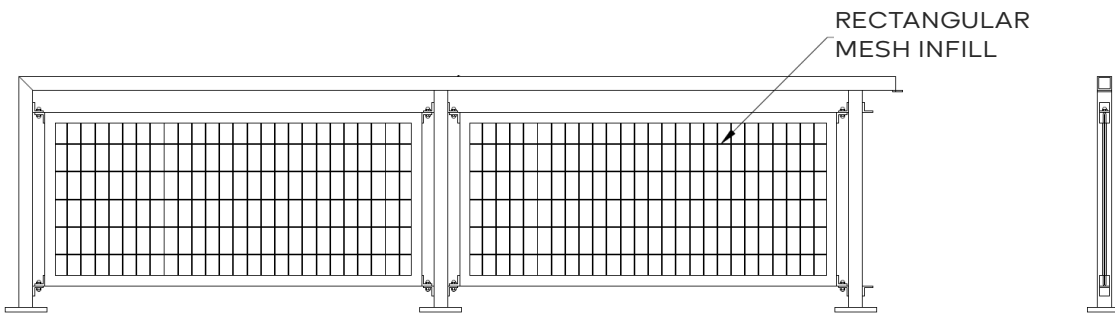
Mesh Railing

Frame Configurations

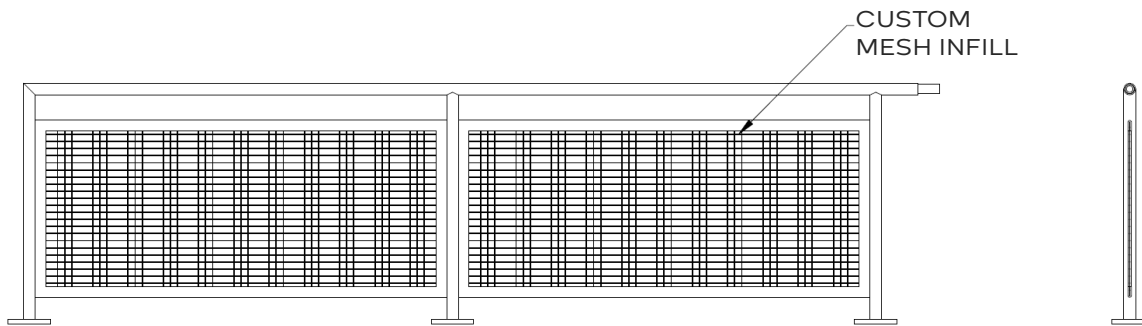
Flat Bar Frame



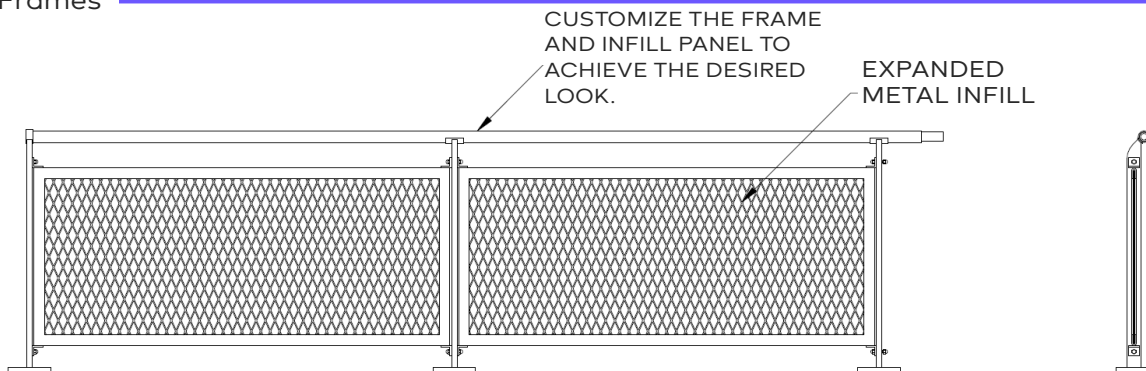
Square Tube Frame



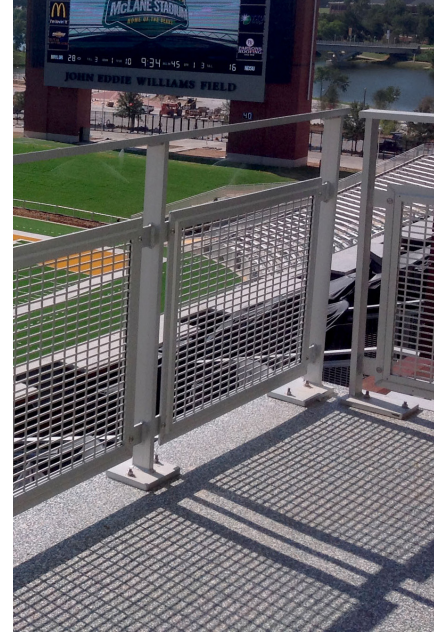
Round Pipe Frame



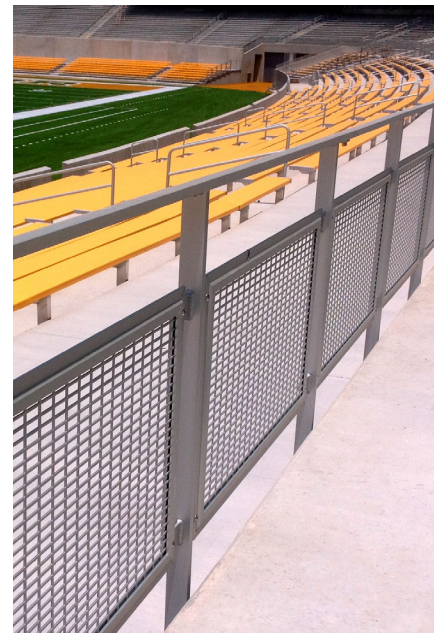
Custom Frames



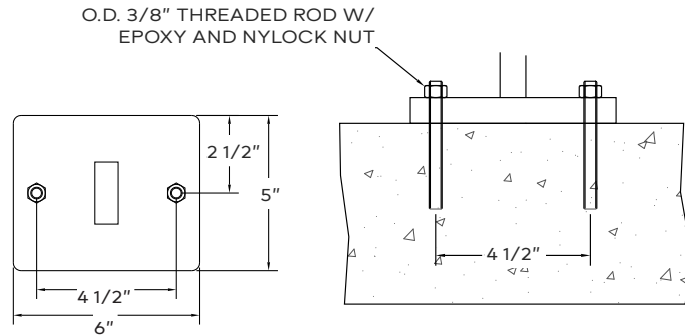
Top Mount



Fascia Mount

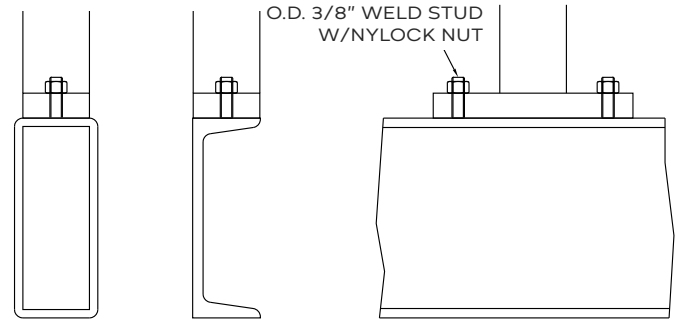


Top Mount Base Plate



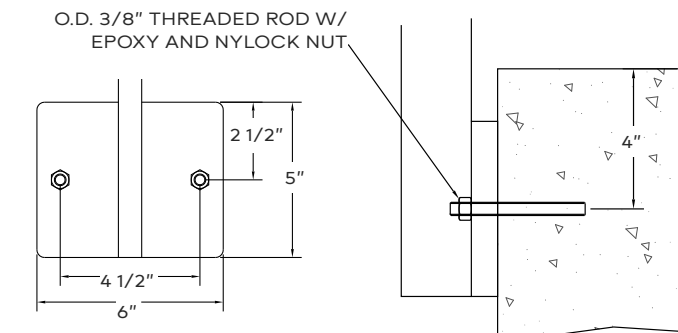
Dimensions dependent on geometry.

Stringer Mount



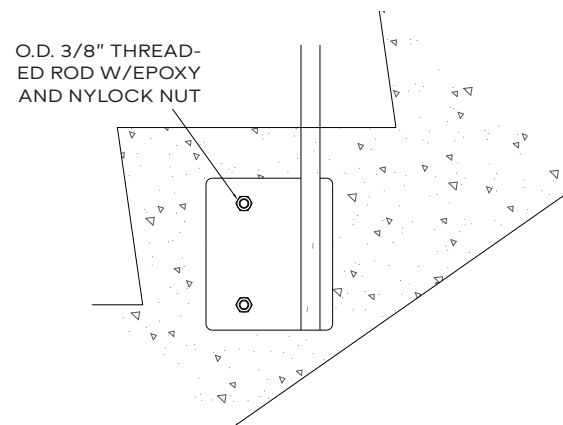
Dimensions dependent on geometry.

Fascia Mount Base Plate



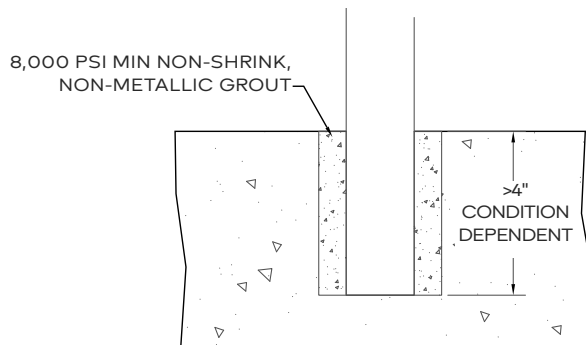
Dimensions dependent on geometry.

Fascia Mount Stair Base Plate



Dimensions dependent on geometry.

Core Mount



Notes:

Handrails can be mounted to concrete or steel.

Anchor size/Type may vary due to field conditions.

