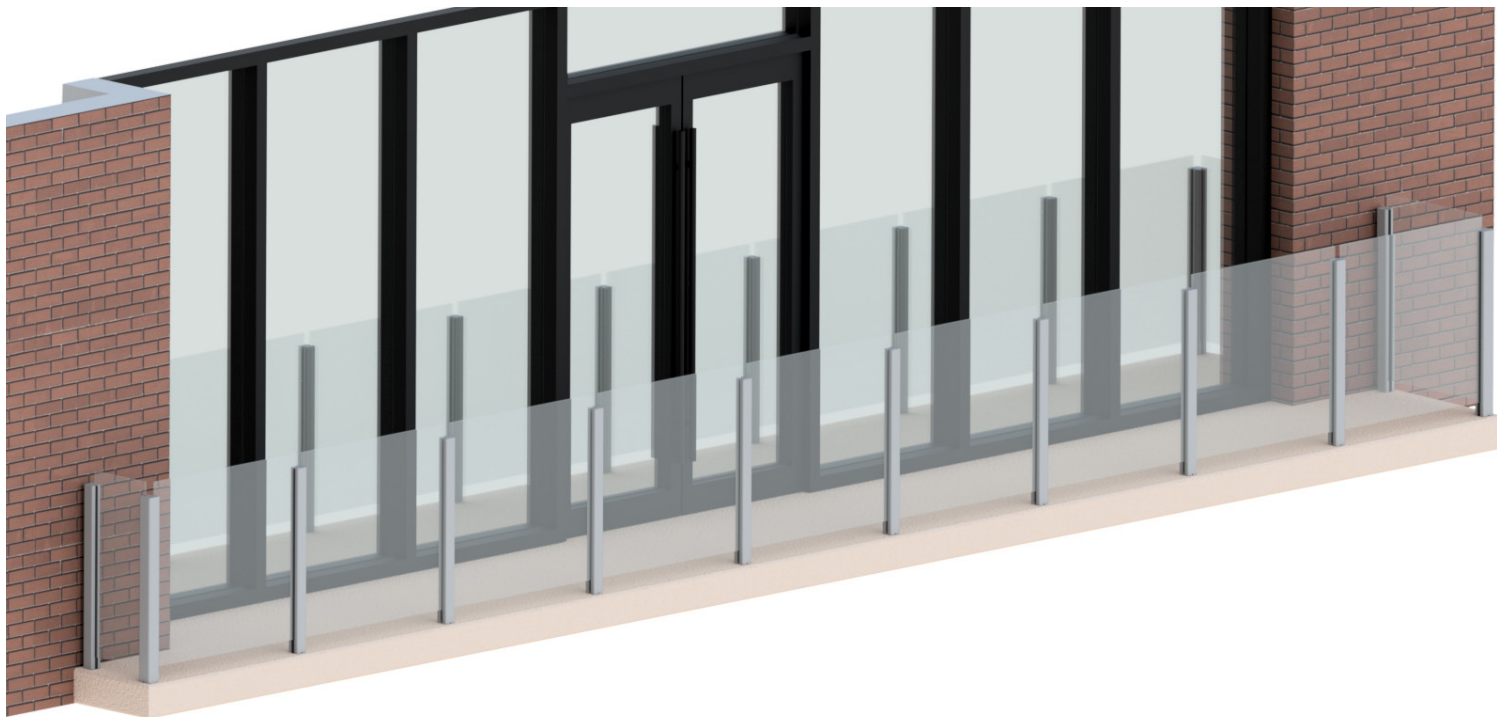


Expanse



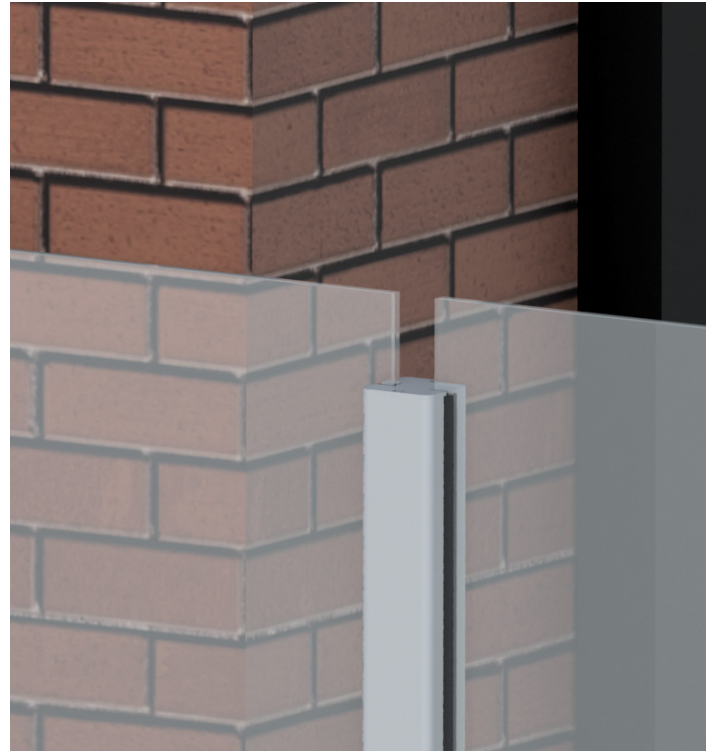
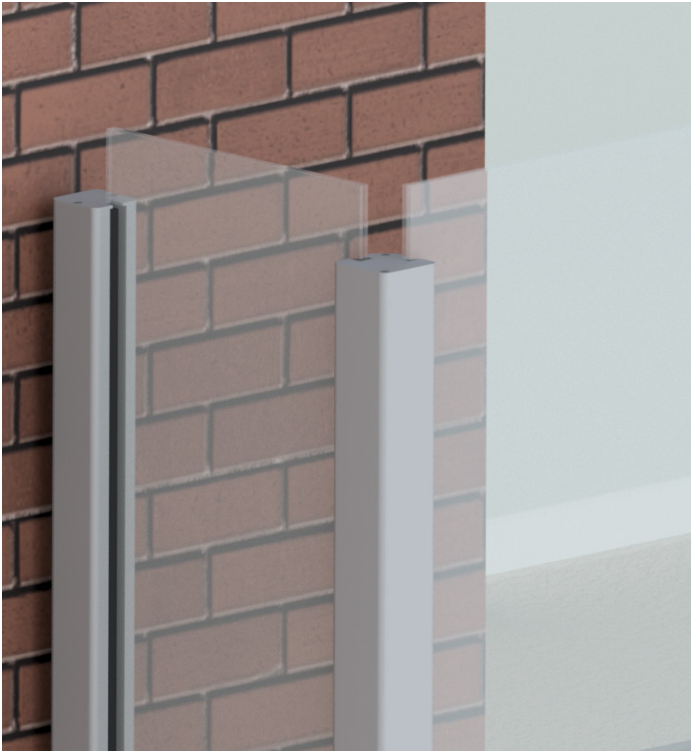
Railing & Windscreen

The Expanse Railing and Windscreen provides a nearly unobstructed guard and wind break for balconies, amenity decks, patios and interior spaces. Proprietary custom extruded aluminum posts provide channels for tempered and laminated glass panels to provide a seamless and continuous guard. Available in a variety of colors and the glass infill can be customized to include privacy etching, colored interlayers, a frosted surface or custom logos.



Expanse

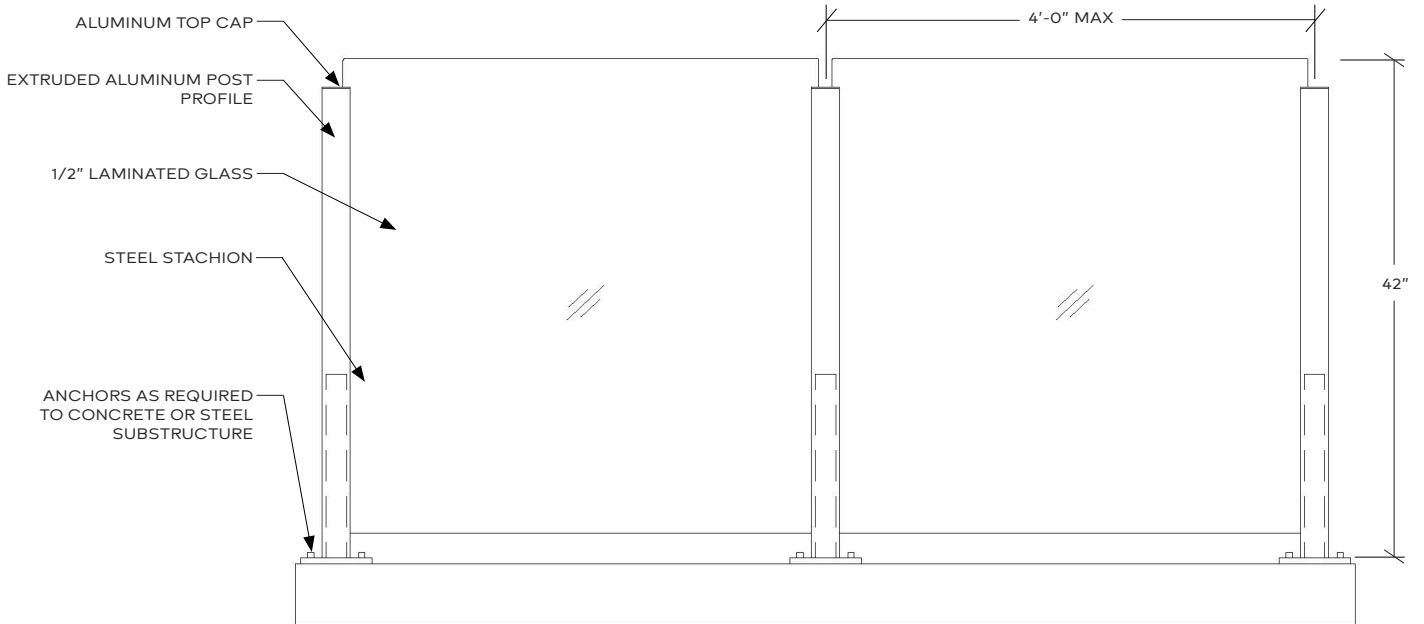
Railing & Windscreen



Specifications

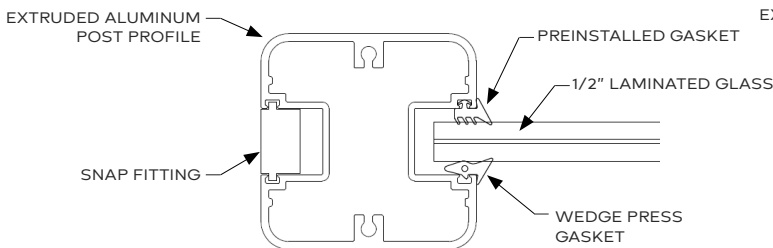
Material:	Aluminum Frame with Glass Infill
Finishes:	Anodized or Powder Coated (custom colors available)
Height:	42" or custom height
Post Spacing:	4' On Center
Frame:	Rectangular "H" profile
Top Cap:	Optional "U" Channel or round profile
Handrail:	Optional Round Pipe
Mount Type:	Top or Fascia with Baseplates or Core Mount
Infill:	Laminated/Tempered Glass (custom frit, frost, colored interlayers, and graphics available)

Expanse Elevation Detail

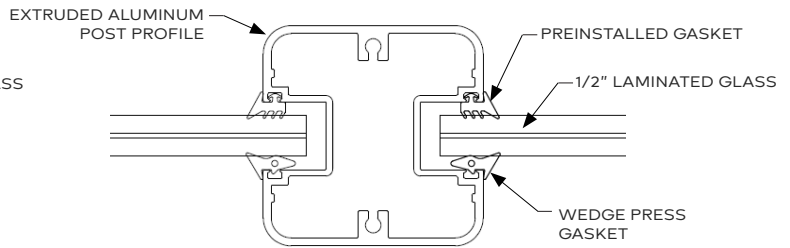


Post Detail

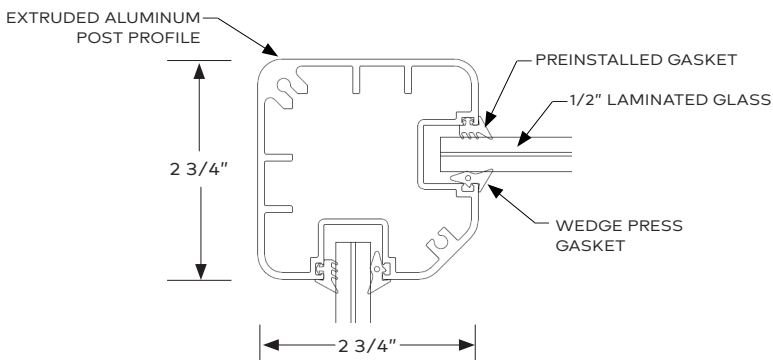
END POST DETAIL



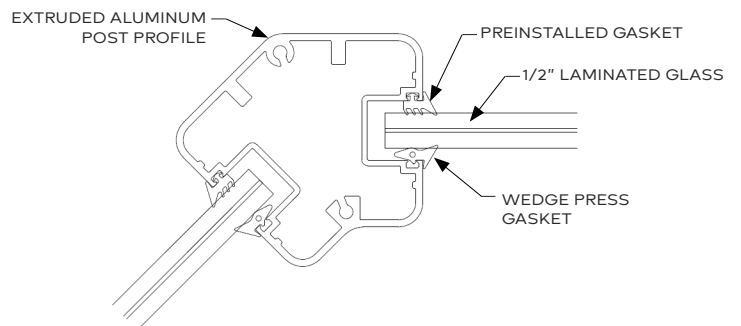
MID POST DETAIL



CORNER DETAIL



135 DEG. DETAIL

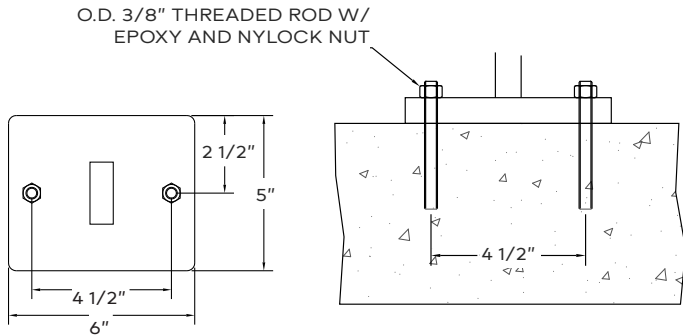


Expanse

Railing & Windscreen

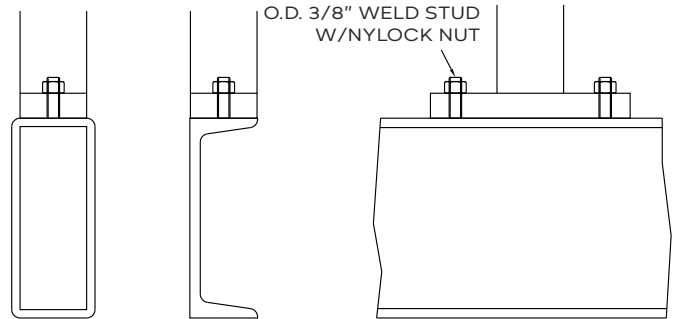


Top Mount Base Plate



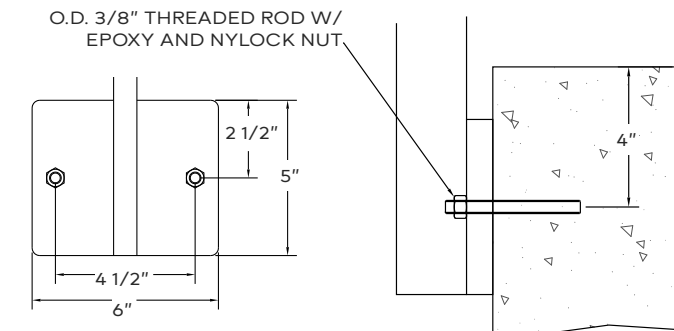
Dimensions dependent on geometry.

Stringer Mount



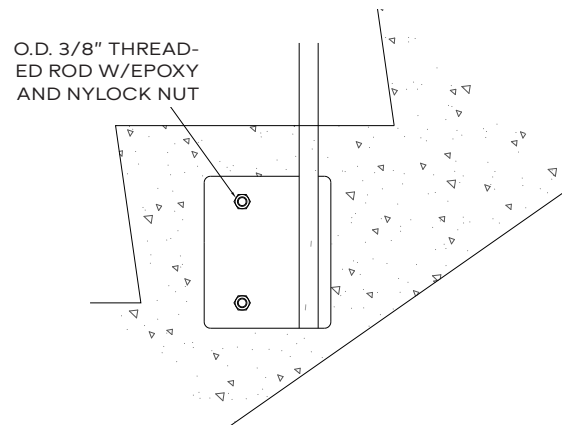
Dimensions dependent on geometry.

Fascia Mount Base Plate



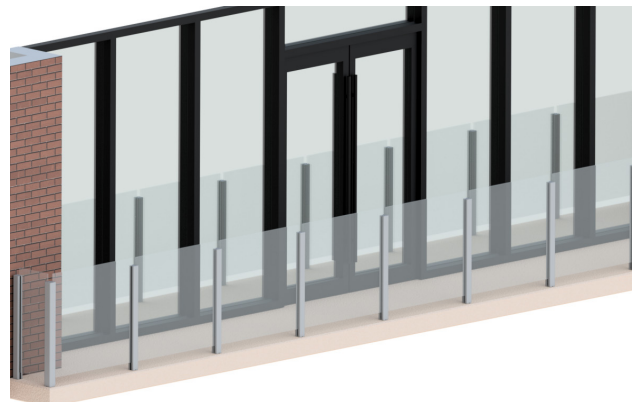
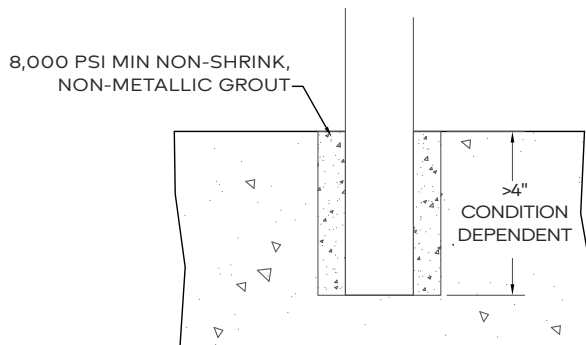
Dimensions dependent on geometry.

Fascia Mount Stair Base Plate



Dimensions dependent on geometry.

Core Mount



Notes:

Handrails can be mounted to concrete or steel.

Anchor size/Type may vary due to field conditions.