

Point™

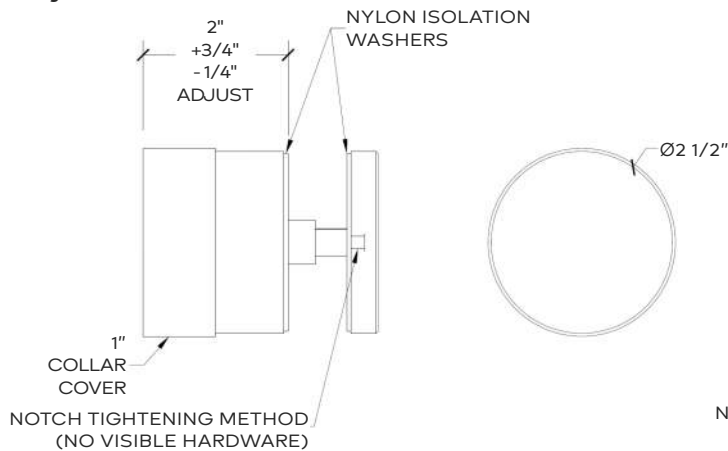
Glass Railing System



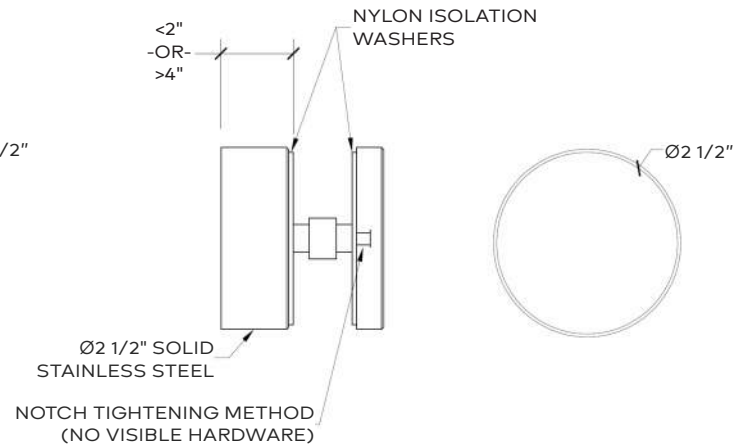
The Point™ Series provides a sleek aesthetic feature to balconies, and stairways. A clean minimalistic option for any venue, it allows for a variety of handrail options eliminating the need for a vertical baluster.



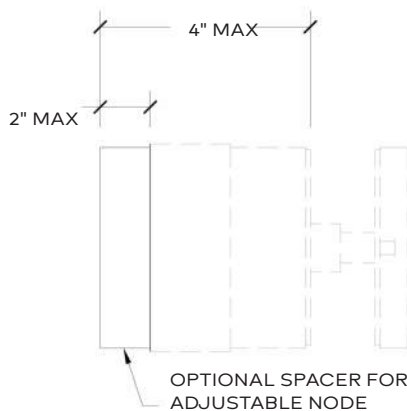
Adjustable Node



Solid Node



Node Spacer (Optional)



Specifications

Node Size:	Adjustable: 2-1/2" diameter x 2" long (min) - 4" (max w/ spacer) offset Solid: 2-1/2" diameter x custom lengths available (<2" or >4")
Adjustment:	+3/4" & -1/4" in Z direction, adjustable thru glass (solid node is not adjustable)
Material:	Stainless Steel (suitable for interior or exterior applications)
Finish:	#4 Brushed Circumferential
Height:	43" Guardrail, 36" Handrail
Loading:	Up to 80 PSF windload (see engineering for project specific loading)
Glass Options:	9/16" to 13/16" Tempered-Laminated Clear Glass
Handrail:	1.66" dia round pipe
Top Cap:	Multiple custom options available

*Custom Options Available

Node Configuration

Three standard node configurations are available:

- 4 node
- 6 node at seams
- 6 nodes

Rail Configuration

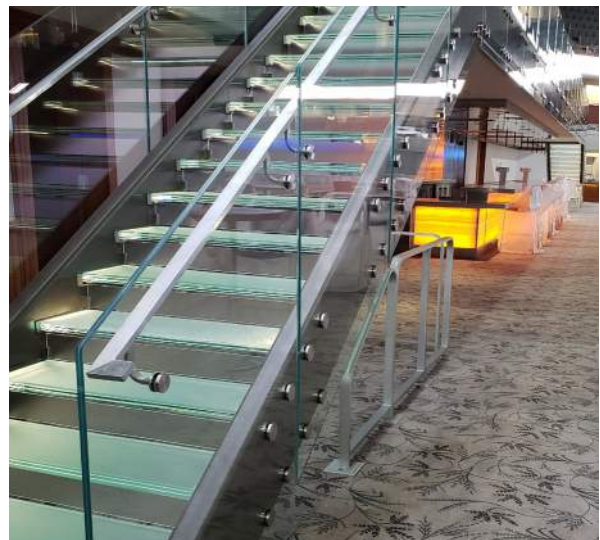
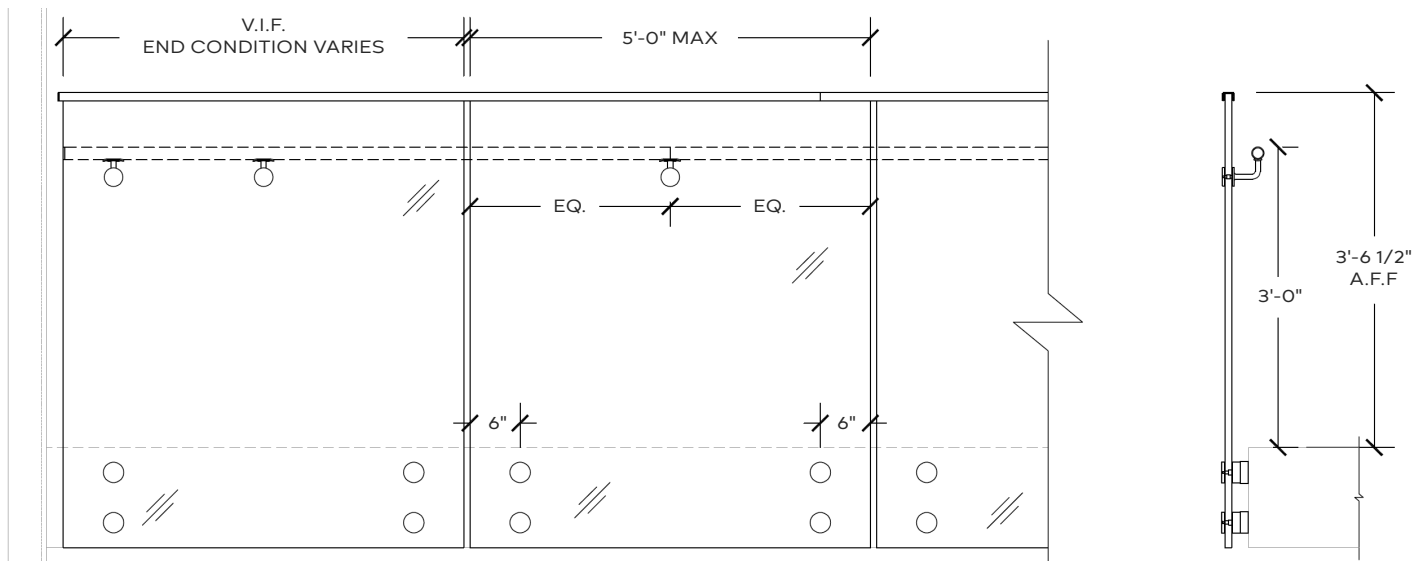
Two standard rail configurations are available:

- With Handrail
- Without Handrail

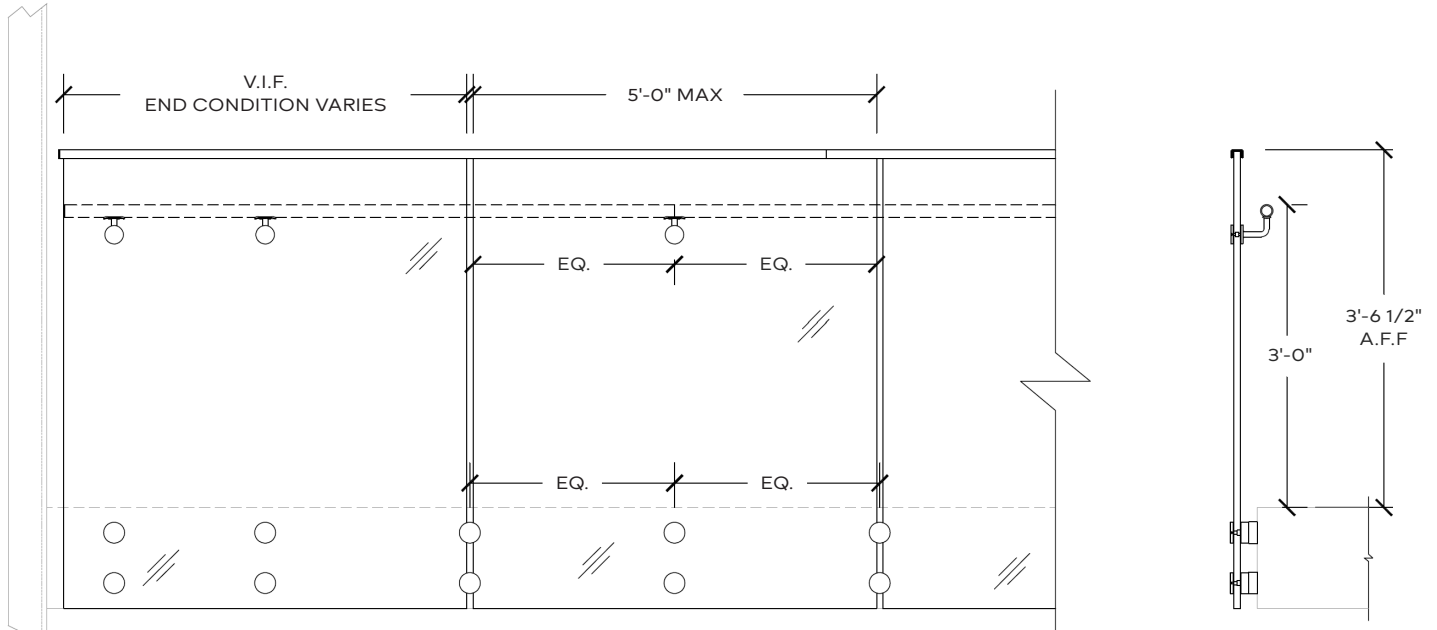
Contact Sightline Commercial Solutions for the best solution to meet the project requirements.

4-Node Mounting Configuration

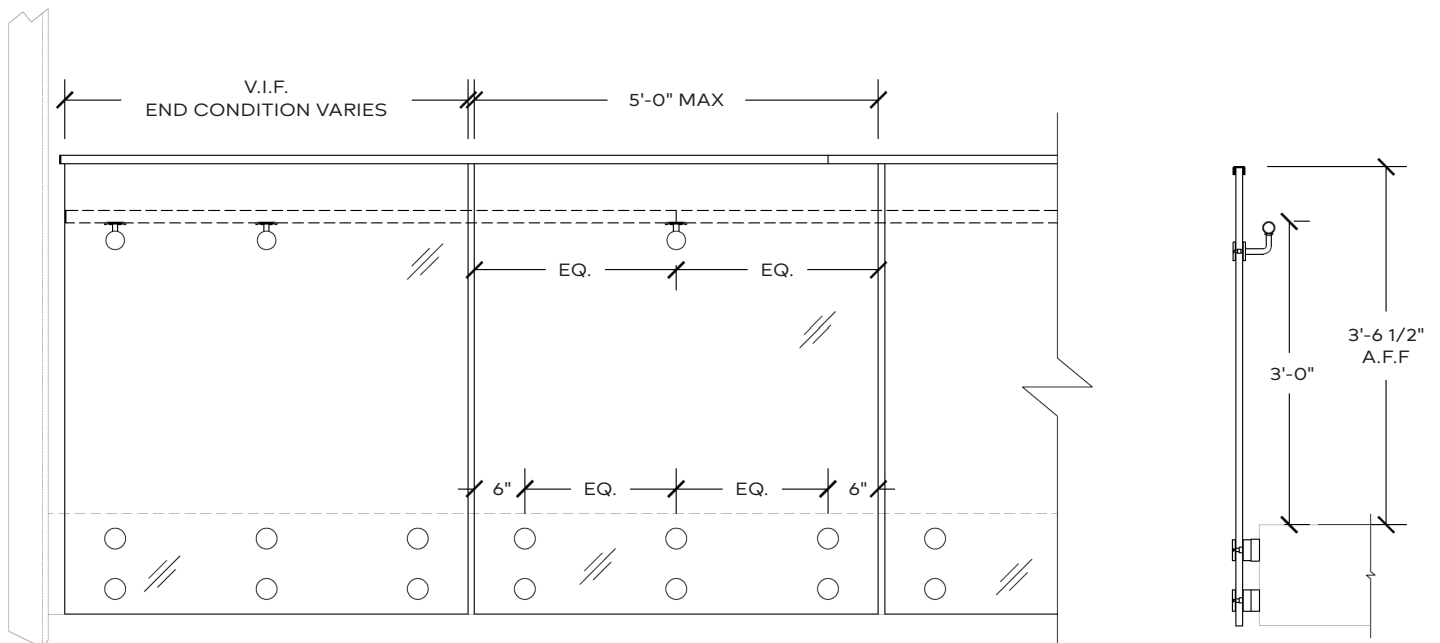
(Shown with Top Cap and optional handrail)



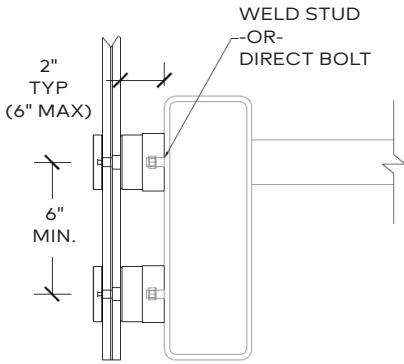
6-Node at Seams Configuration (Shown with Top Cap and optional handrail)



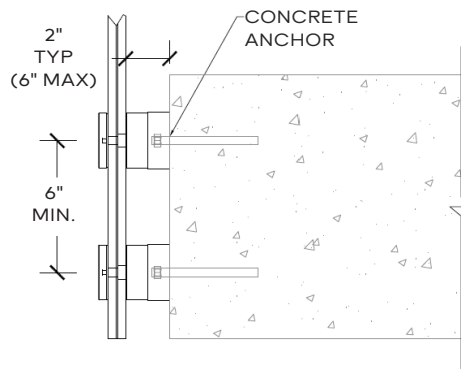
6-Node Configuration (Shown with Top Cap and optional handrail)



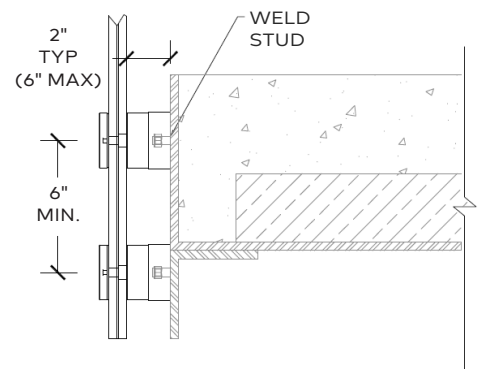
Stringer Mount



Concrete Mount



Composite Slab Mount



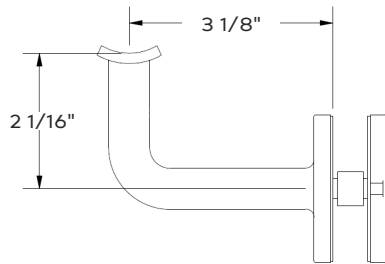
Notes:

Anchor size and type may vary based on engineering requirements.

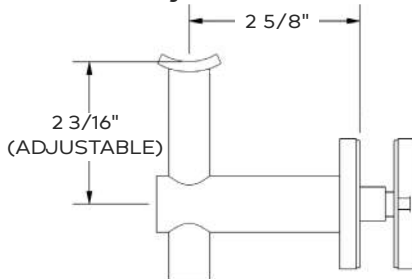
Accessories

Standoffs

Bent Rod

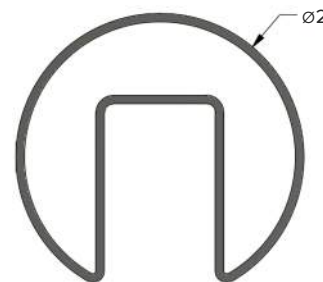


Adjustable Rod

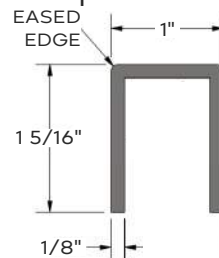


Top Caps

Round



Sharp Corner



Hemmed

