

# Post Rail™

## Post & Infill Custom Railing System

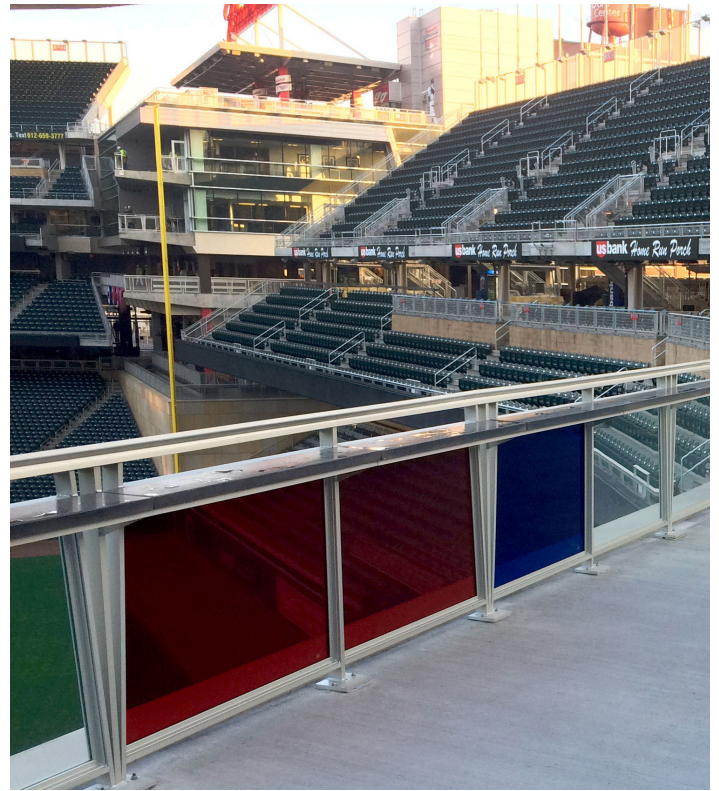


This post supported railing system is available with a variety of glass, wire mesh panel or other solid infill materials to achieve the desired look for your project. Flexible mounting methods allow for use in nearly any location. A variety of materials, finishes, colors, and infill attachment styles are available for use in the frame to meet your facility requirements.



# Post Rail™

## Post & Infill Custom Railing System



## Specifications

Material:	Aluminum, Stainless Steel, Steel
Finishes:	Aluminum: Anodized/High Performance Coatings/Architectural Powder Coat Stainless Steel: Brushed/Polished Steel: Galvanized/High Performance Coatings/Architectural Powder Coat
Height:	30", 36" or 42"
Post Spacing:	4' On Center
Frame:	Square Tube, Round Pipe, Flat Bar
Top Rail:	To match frame material and finish
Handrail:	Round Pipe (match frame material and finish)
Mount Type:	Top or Fascia w/ baseplates
Infill Options:	9/16" to 13/16" tempered-laminated Glass 1/2" acrylic (frosted, clear, etched) Aluminum sheet metal

\*Custom Options Available

# Post Rail™

## Post & Infill Custom Railing System

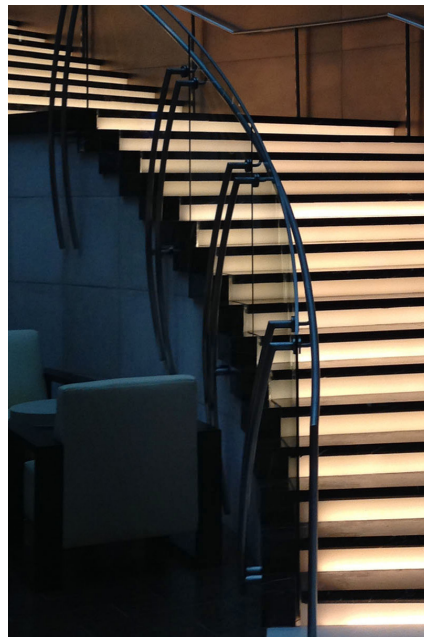
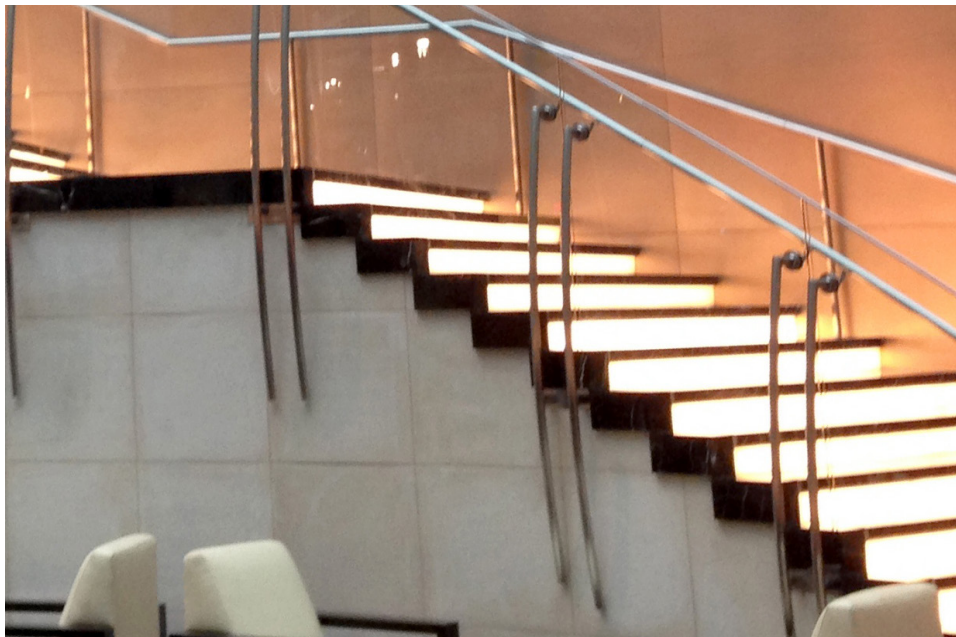
### Mounting Options



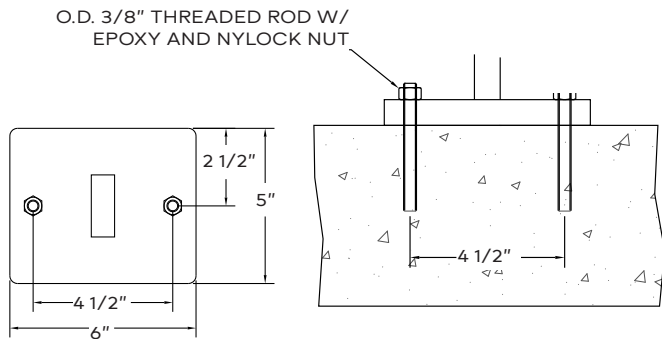
#### Top Mount



#### Fascia Mount

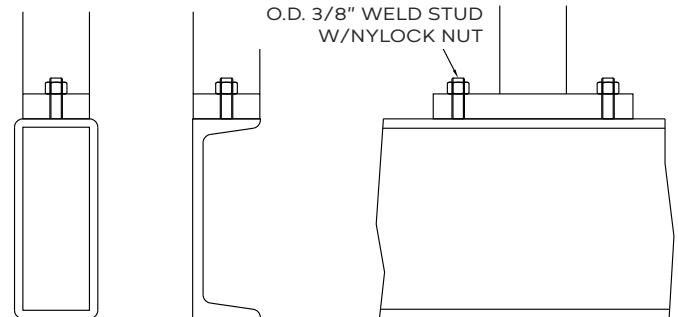


### Top Mount Base Plate



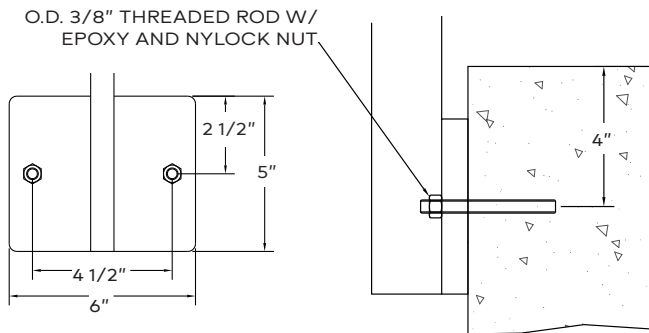
Dimensions dependent on geometry.

### Stringer Mount



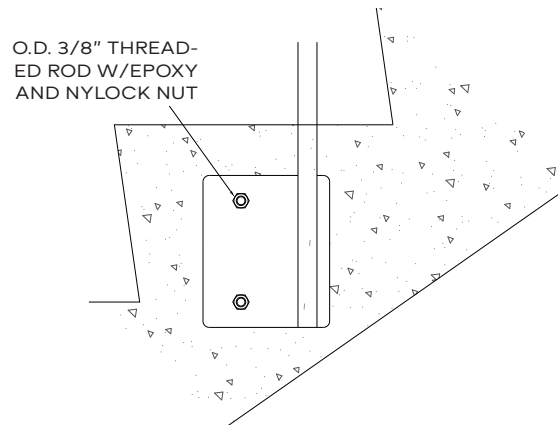
Dimensions dependent on geometry.

### Fascia Mount Base Plate



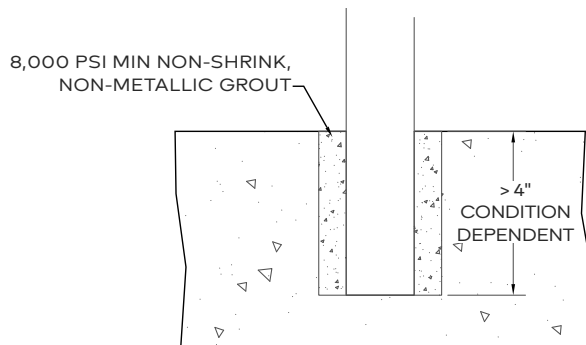
Dimensions dependent on geometry.

### Fascia Mount Stair Base Plate



Dimensions dependent on geometry.

### Core Mount



#### Notes:

Handrails can be mounted to concrete or steel.

Anchor size/Type may vary due to field conditions.