

Top Caps & Standoffs

Standard Railing Options



We offer a variety of top cap styles, allowing for complete customization of your railing system. Selections range from very low-profile to substantial and robust. Handrail standoffs may be mounted to the glass, posts, or wall. Our team will assist with your particular railing design to achieve the aesthetic you have in mind.



Top Caps & Standoffs

Standard Railing Options

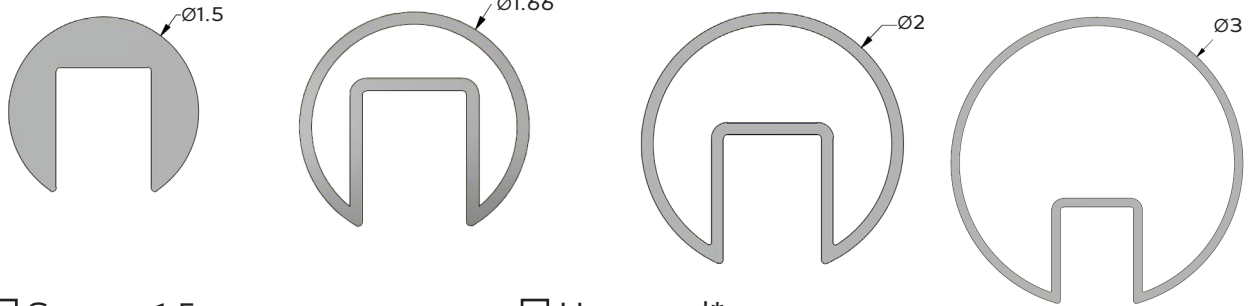


Glass Top Cap Profiles

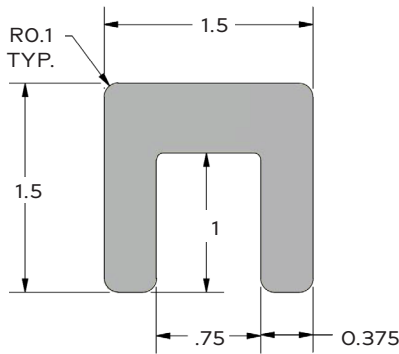
Aluminum

(Check one)

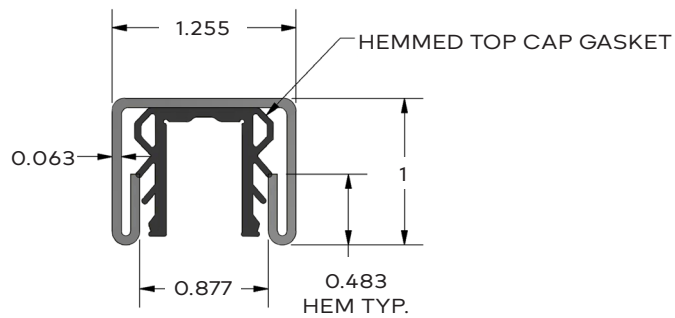
- Round 1.5
 Round 1.66
 Round 2.0
 Round 3.0



- Square 1.5



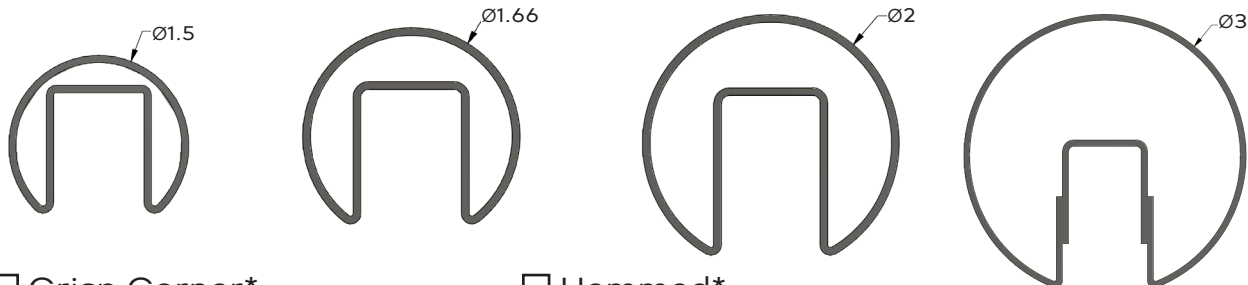
- Hemmed*



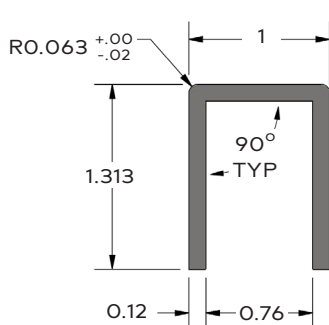
Stainless Steel

(Check one)

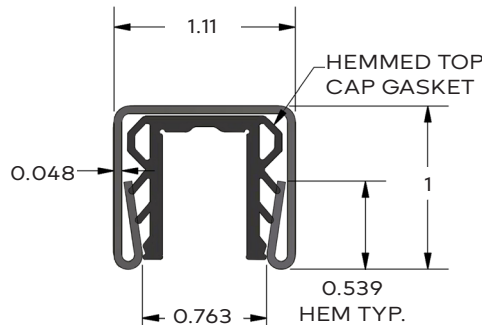
- Round 1.5
 Round 1.66
 Round 2.0
 Round 3.0



- Crisp Corner*



- Hemmed*



* = Shown for 1/2" & 9/16" glass, also available for 3/4" & 13/16" Glass

Top Caps & Standoffs

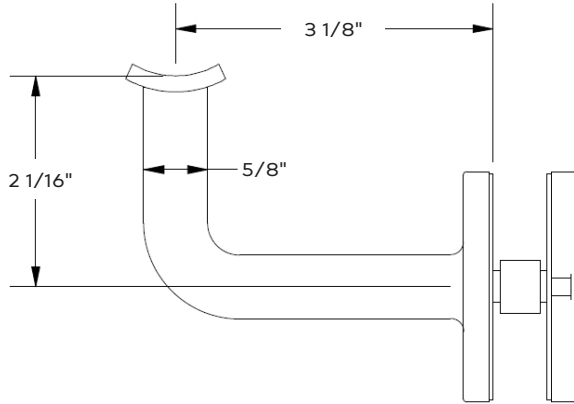
Standard Railing Options



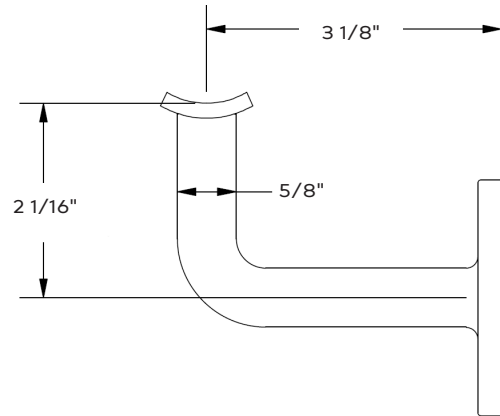
Standoff Profiles

Rounded Bent Rod (Aluminum or Stainless Steel)
(Check one)

Thru Glass Standoff

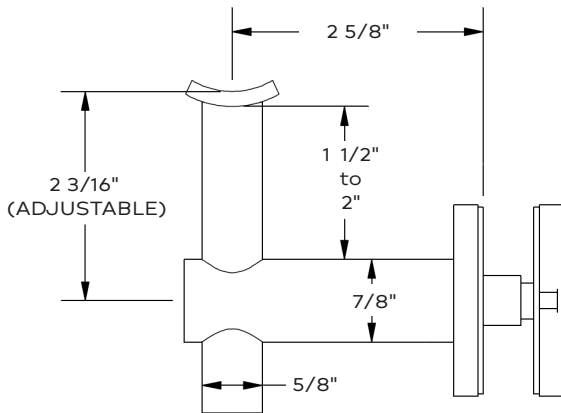


Wall Mount



90° Adjustable (Stainless Steel)
(Check one)

Thru Glass Standoff



Wall Mount

