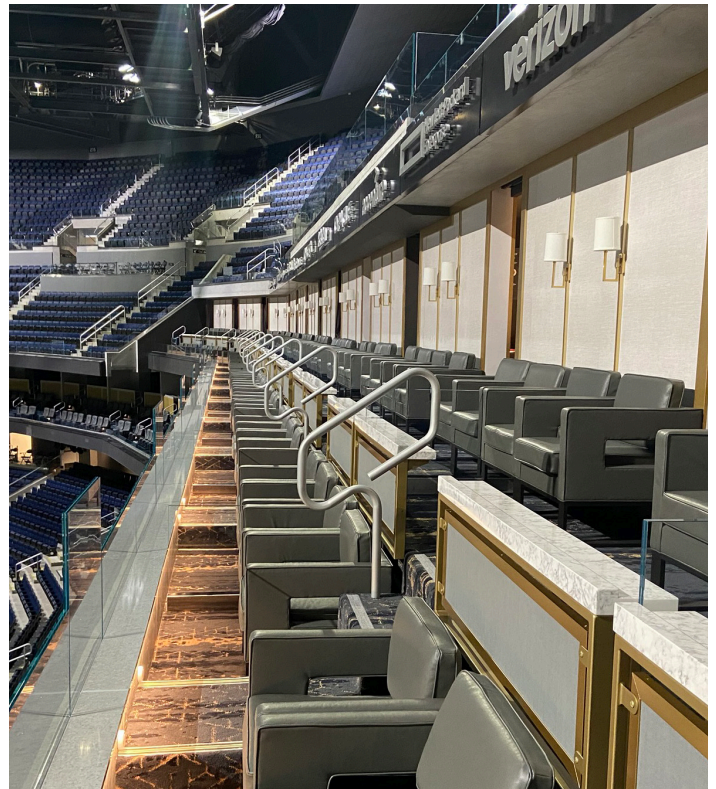


Griprail™ pipe and tube railing system is designed and constructed using round pipe and tube providing a graspable handrail for stairs, ramps and crowd control applications. A variety of materials, finishes and colors are available to meet your project requirements.



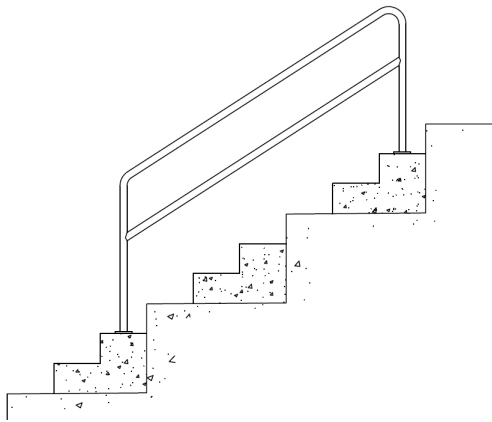
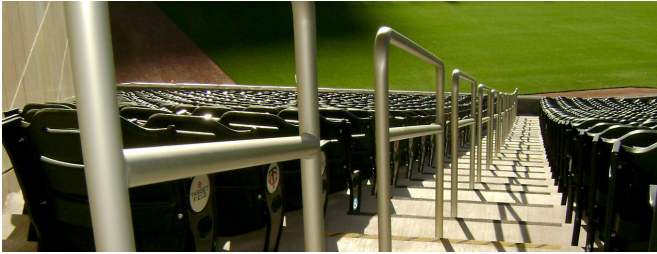


Specifications

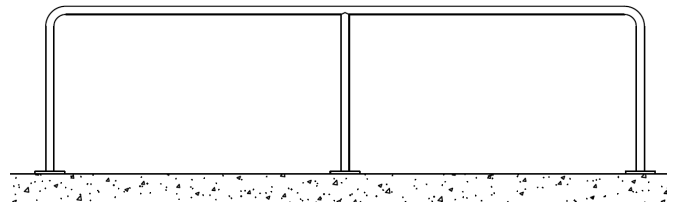
Material:	Aluminum, Stainless Steel, Steel
Finishes:	Aluminum: Anodized/High Performance Coatings/Architectural Powder Coat Stainless Steel: Brushed/Polished Steel: Galvanized/High Performance Coatings/Architectural Powder Coat
Height:	34" - 38" - A.F.F.
Post Spacing:	Variable (centered on steps)
Mount Type:	Top, Fascia, or Wall mount
Top Rail:	Round pipe (Typical)
Post:	Round pipe (matches top rail material)
Corners:	Bent/eased or mitered

*Custom Options Available

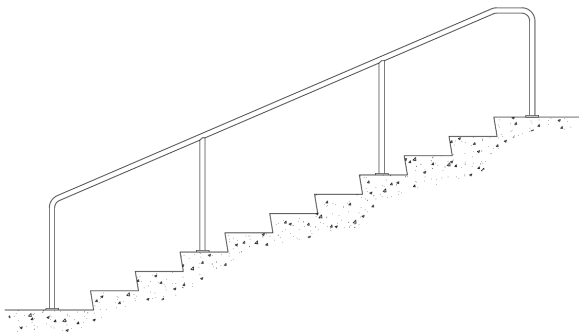
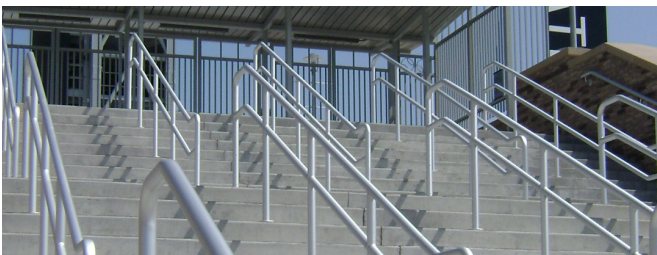
Aisle Rail



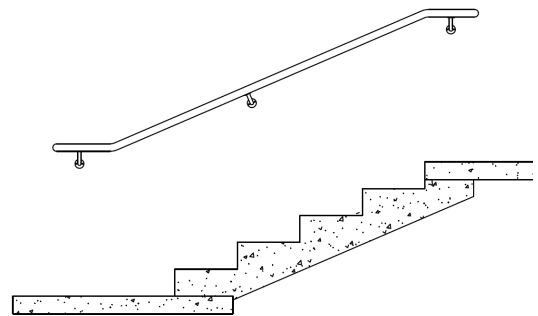
Courtesy Rail



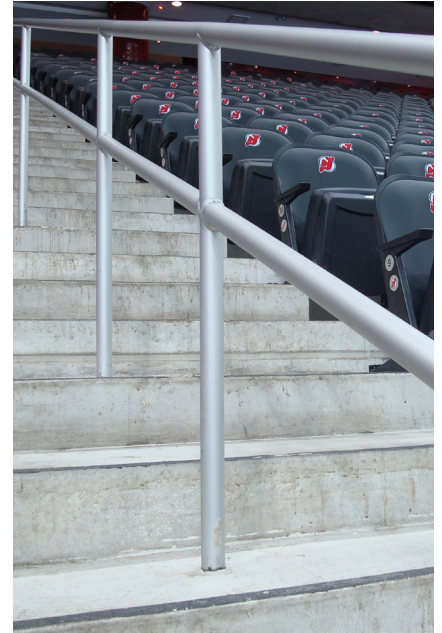
Center Handrail



Wall Handrail



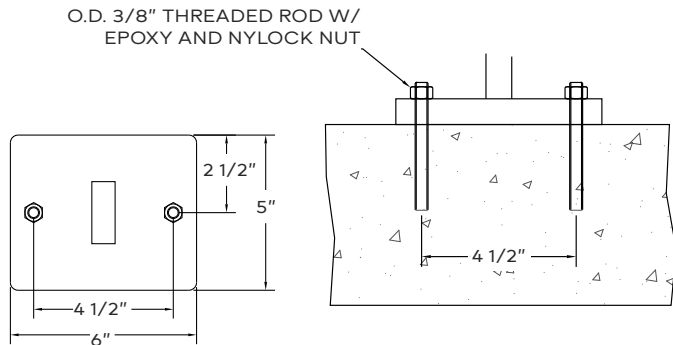
Top Mount



Fascia Mount

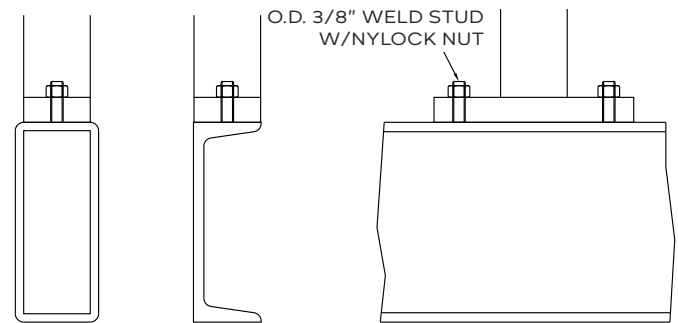


Pipe & Tube Handrail Top Mount Base Plate



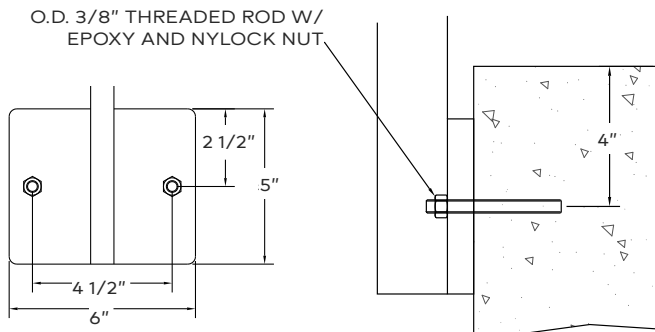
Dimensions dependent on geometry.

Stringer Mount



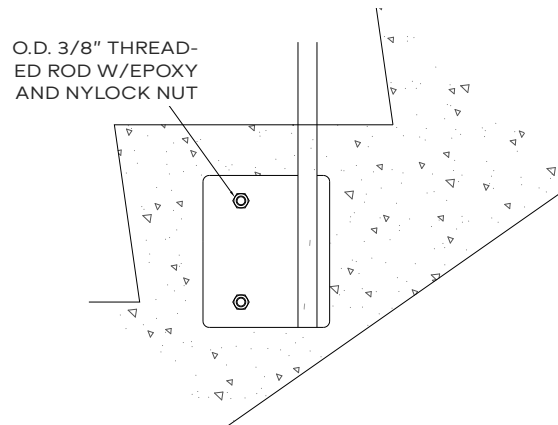
Dimensions dependent on geometry.

Fascia Mount Base Plate



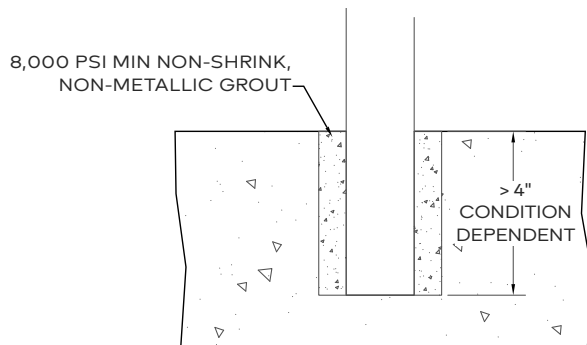
Dimensions dependent on geometry.

Fascia Mount Stair Base Plate



Dimensions dependent on geometry.

Core Mount



Notes:

Handrails can be mounted to concrete or steel.

Anchor size/Type may vary due to field conditions.

