

Track Rail™

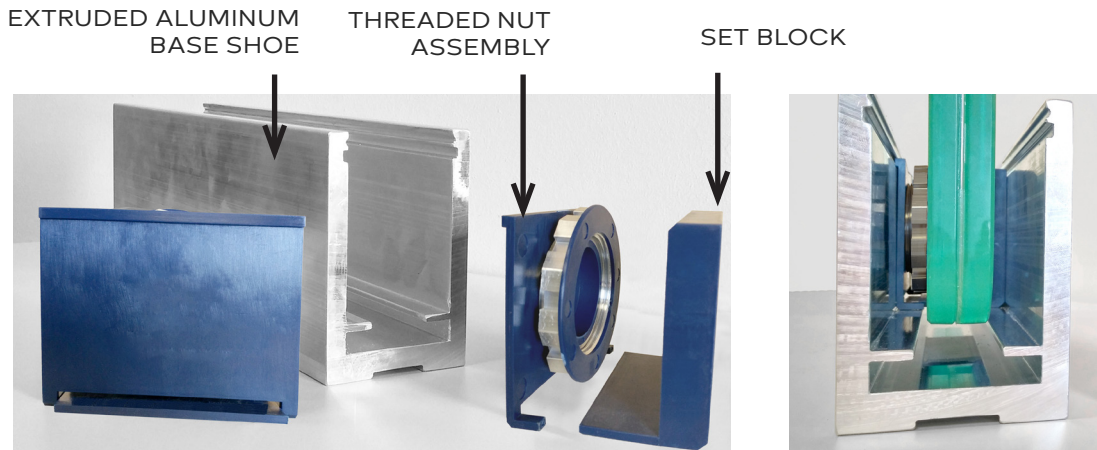
Base Shoe Railing System



The Track Rail™ base shoe glass railing system is designed and constructed using tempered-laminated or tempered monolithic glass. Our glass railing system can be mounted as an independent railing or in combination with many of our other railing options, making it a perfect choice where sightline and safety are a must. Track Rail™ comes with two available glazing options - Sightline Commercial Solutions' patented GlassNut™ dry glazing or wet glazing. A variety of materials, finishes and colors are available to meet your project requirements.



GlassNut™ provides a fast and cost effective alternative to traditional wet glazed systems. The GlassNut™ utilizes a threaded nut with setting block to securing the glass infill into a Sightline Commercial Solutions Track Rail™ base shoe. The system provides a fast, simple and safe IBC compliant system to meet their project needs.



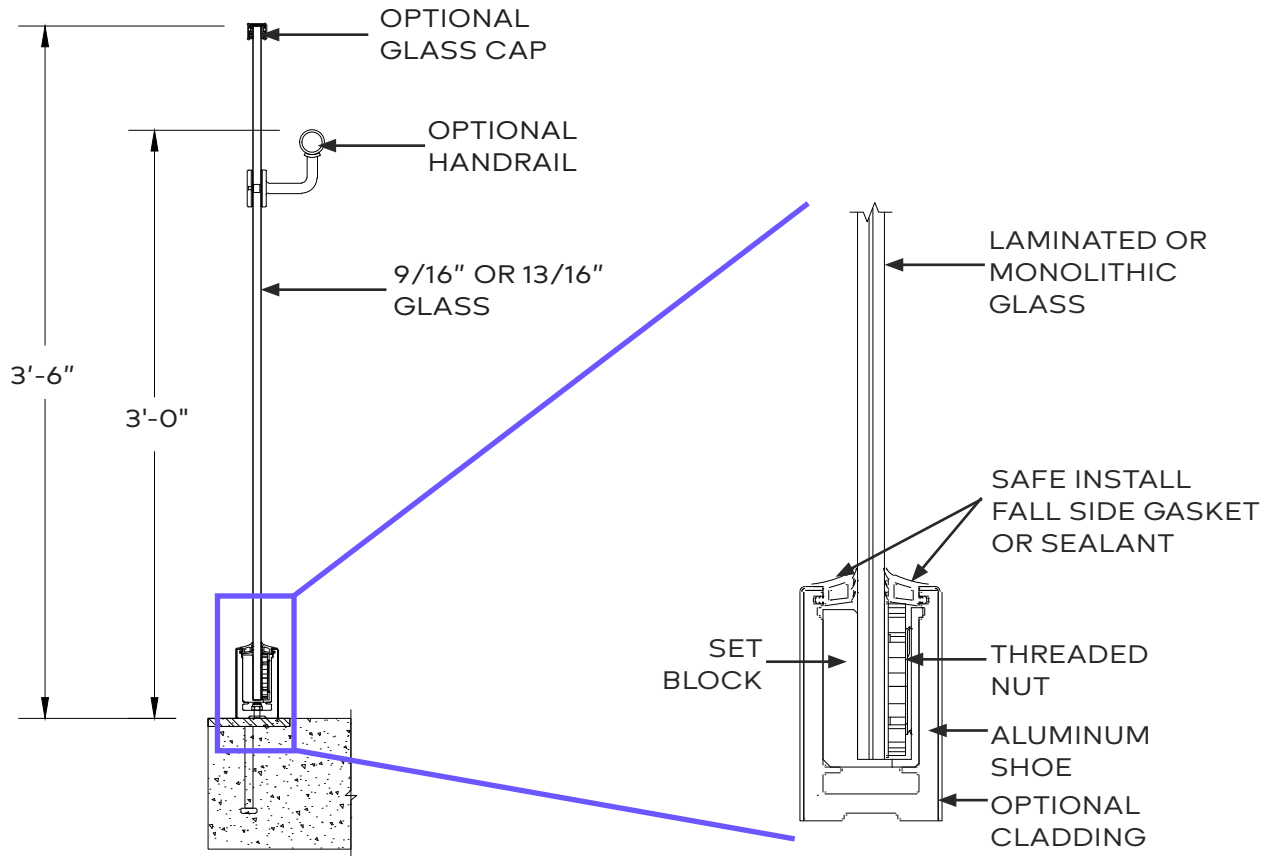
Dry Glaze System (GlassNut™) Specifications

Shoe Material:	Extruded Aluminum
Mount Type:	Top (Embed or direct), Fascia
Anchor Spacing:	6" to 10" on center
Shoe Finish:	Anodized, Paint, or Powder coated
Cladding (optional):	Formed Sheet metal (Brushed Stainless, Anodized, or Powder coated)
Material:	Set Block: Nylon Threaded Nut Assembly: Composite (Nylon, Aluminum, & Stainless steel)
GlassNut™ Spacing:	8" On Center
Compatible Infill options:	1/2" - 3/4" Tempered Monolithic Glass 9/16" - 13/16" Tempered Laminated Glass
Height:	Guardrail: Varies (up to 6') - 42" min. A.F.F. Handrail: 3'-0" A.F.F. Typ.
Gasket Option:	Safe Install Gasket with integrated dart - Black EPDM
Sealant Option:	Black or Colored Silicone
Tools Required:	GlassNut™ Torque Wrench (provided)
Top Cap**:	Optional (Multiple custom options available)
Handrail:	Optional (Multiple custom options available)

*Custom Options Available

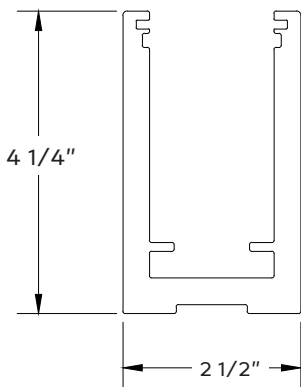
**Sightline Commercial Solutions' Track Rail™ has been tested to meet IBC 2018 no top cap exemption.

Railing Details

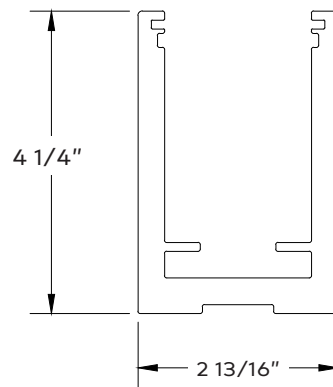


GlassNut™ Base Shoe Profiles

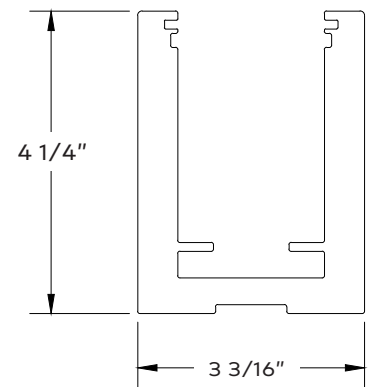
1/2" & 9/16" GLASS SHOE



3/4" & 13/16" GLASS SHOE



3/4" & 13/16" GLASS SHOE
*high wind applications



Base Shoe Railing - Wet Glazing

Wet glazing is a traditional method for installing glass into a base shoe system. It is very strong, making wet glaze ideal for high strength applications - such as those in high wind load environments. Wet glazing also can conform to most curved or small profile applications.



Wet Glaze System Specifications

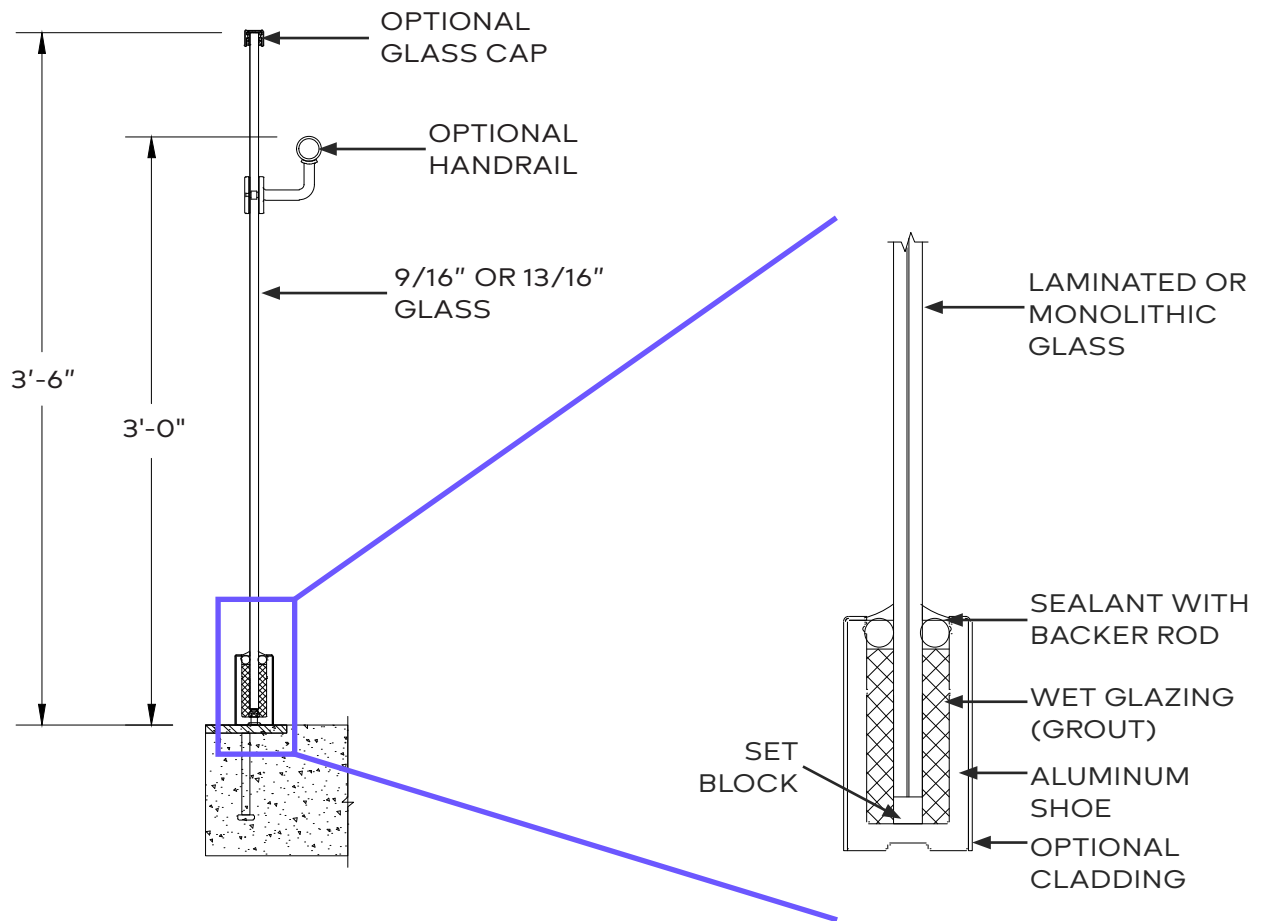
Shoe Material:	Extruded Aluminum
Mount Type:	Top (Embed or direct), Fascia
Anchor Spacing:	6" to 10" on center
Shoe Finish:	Anodized, Paint, or Powder coated
Cladding (optional):	Formed Sheet metal (Brushed Stainless, Anodized, or Powder coated)
Glazing material:	Non-gypsum based grout or 2-part epoxy grout
Compatible Infill options:	1/2" - 3/4" Tempered Monolithic Glass 9/16" - 13/16" Tempered Laminated Glass
Height:	Guardrail: Varies (up to 6') - 42" min. A.F.F. Handrail: 3'-0" A.F.F. Typ.
Sealant Option:	Black or Colored Silicone
Top Cap**:	Optional (Multiple custom options available)
Handrail:	Optional (Multiple custom options available)

*Custom Options Available

**Sightline Commercial Solutions' Track Rail™ has been tested to meet IBC 2018 no top cap exemption.

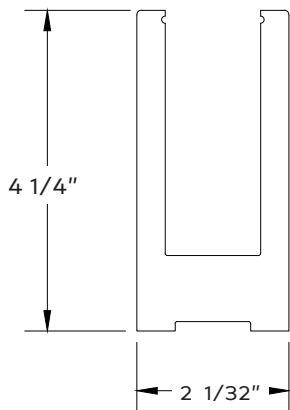
Base Shoe Railing - Wet Glazing

Railing Details

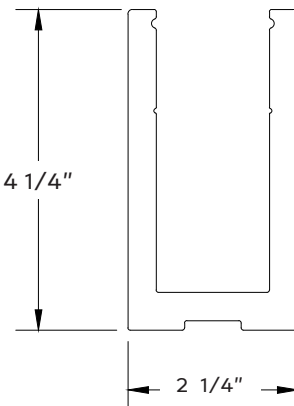


Base Shoe Profiles

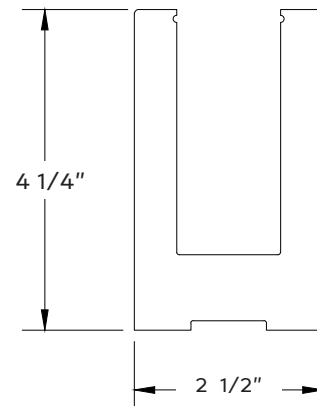
1/2" & 9/16" & 3/4" & 13/16"
GLASS SHOE



1/2" & 9/16" GLASS SHOE
*epoxy grout only

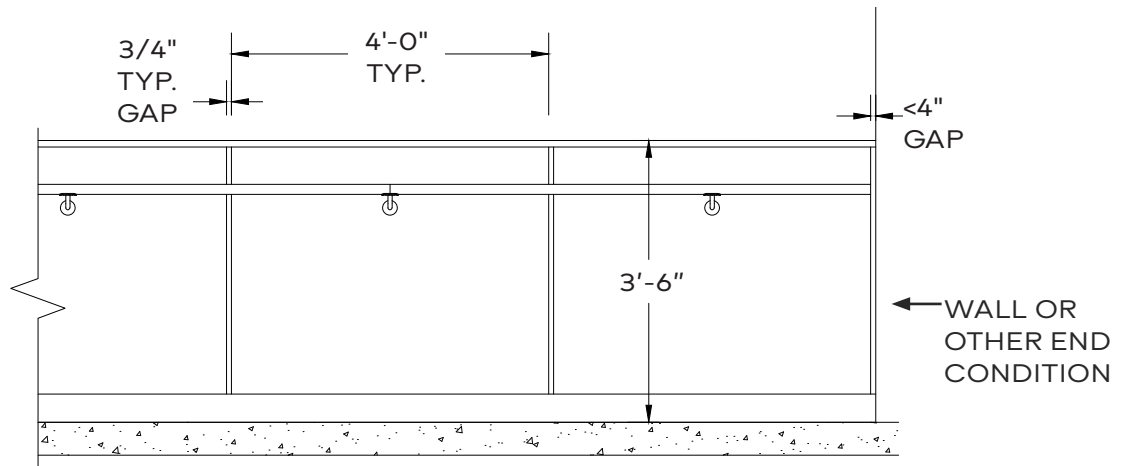


1/2" & 9/16" & 3/4" & 13/16"
GLASS SHOE
*high wind load



Railing Configuration

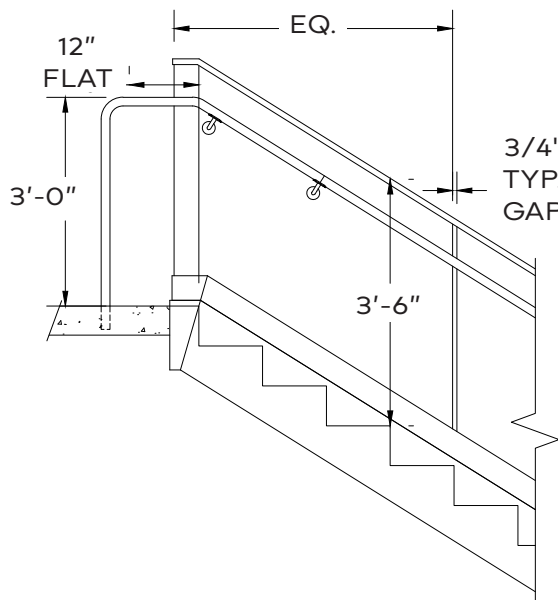
Overlook



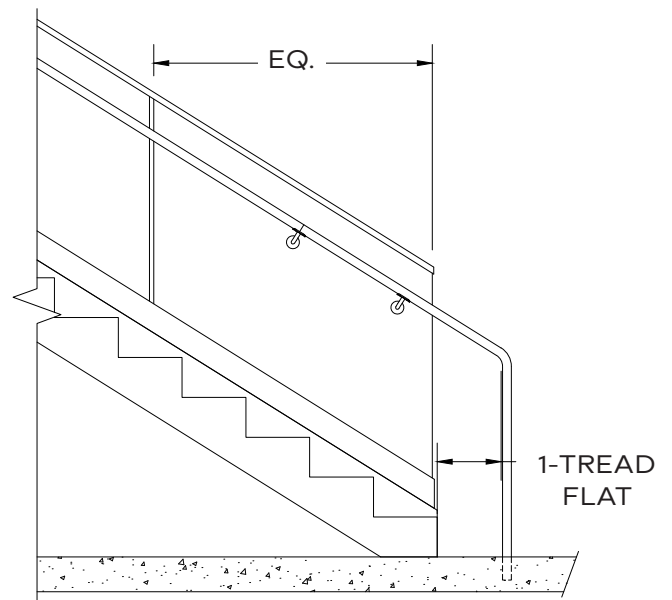
SHOWN WITH OPTIONAL TOP CAP AND HANDRAIL

Stair

TOP OF STAIR DETAIL



BOTTOM OF STAIR DETAIL



SHOWN WITH OPTIONAL TOP CAP

Track Rail™

Base Shoe Railing System

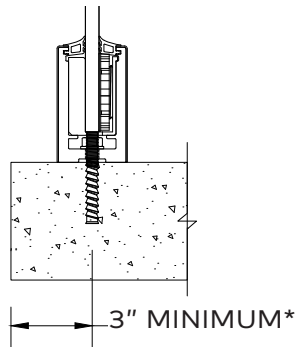


Mounting Options

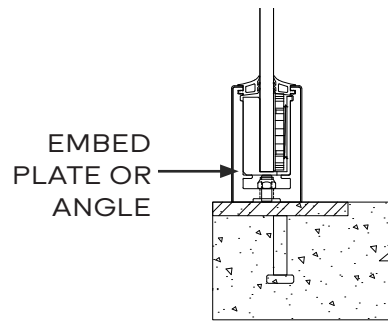


Top Mount Detail

TOP MOUNT DETAIL
DIRECT TO CONCRETE

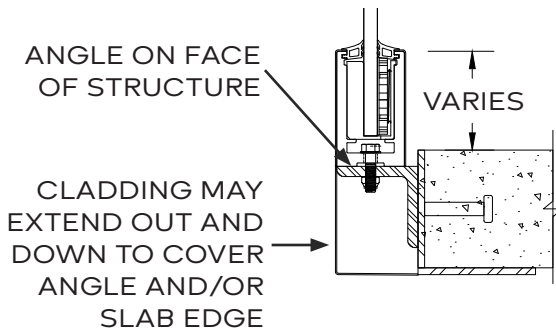


TOP MOUNT DETAIL
WITH EMBED

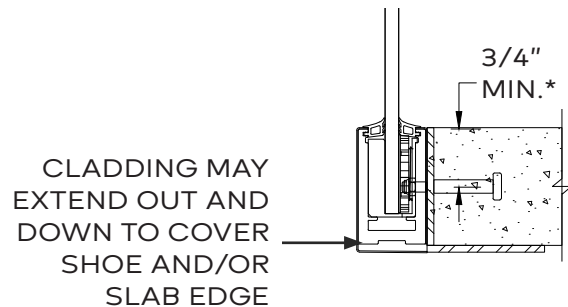


Fascia Mount Detail

SIDE MOUNT DETAIL
WITH ANGLE



SIDE MOUNT DETAIL
NO ANGLE



* Varies upon project conditions/engineering

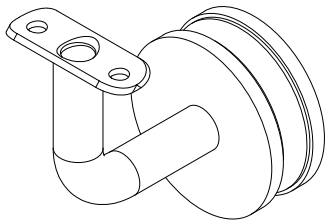
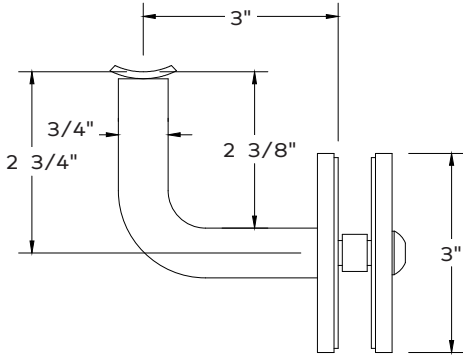
** Details shown with Dry Glaze shoe, Wet Glaze details similar

Shown with pour stop, can be directly mounted to concrete

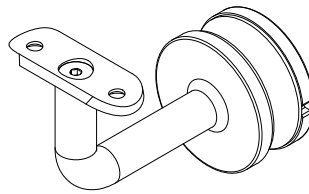
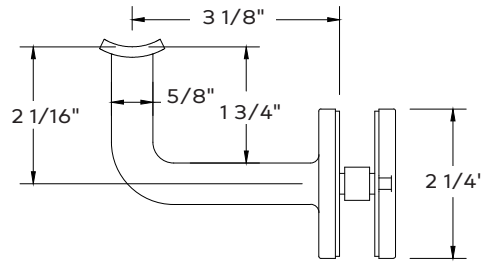
Accessories

Standoffs

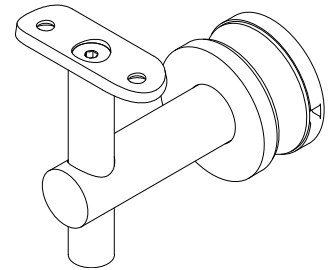
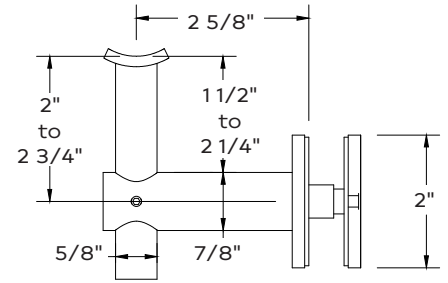
Aluminum Bent Rod



Stainless Bent Rod

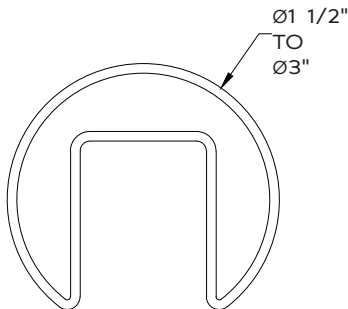


Stainless 90° Adjustable



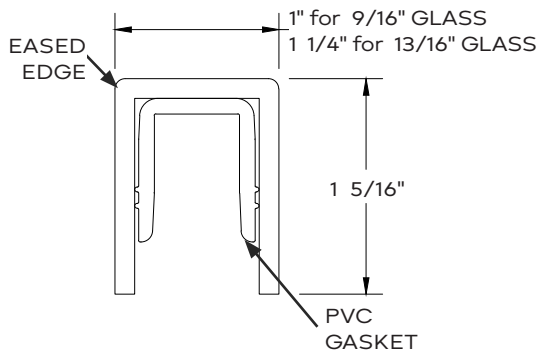
Optional Cap Profiles (Multiple custom options available)

ROUND TOP CAP



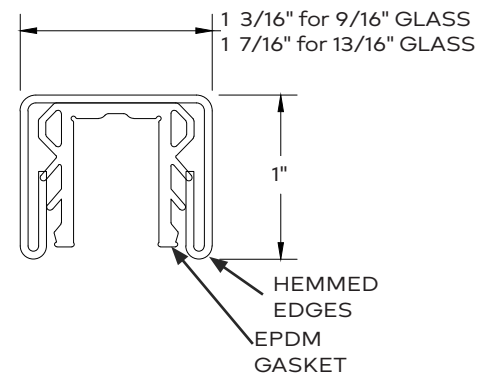
- AVAILABLE IN ALUMINUM AND STAINLESS
- LIMITED AVAILABILITY FOR 13/16" GLASS

CRISP CORNER TOP CAP



- ONLY AVAILABLE IN STAINLESS

HEMMED TOP CAP



- AVAILABLE IN ALUMINUM AND STAINLESS

Track Rail™

Base Shoe Railing System



Applications

Overlooks



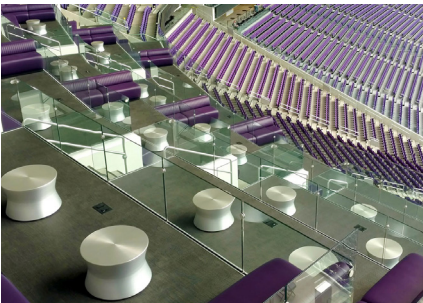
Stairs



Balconies



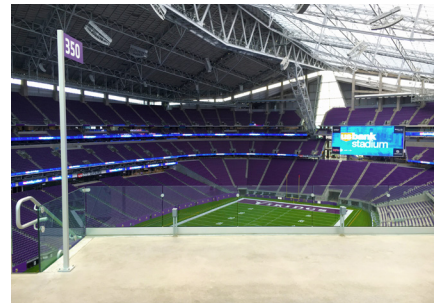
Front of Bowl Railing



Suite Dividers



ADA Compliance Surrounds



Add-ons

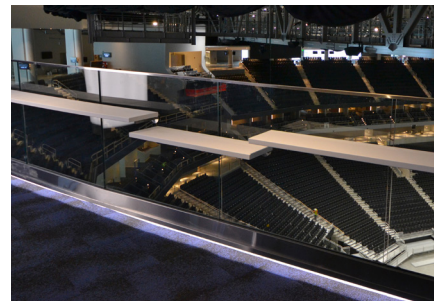
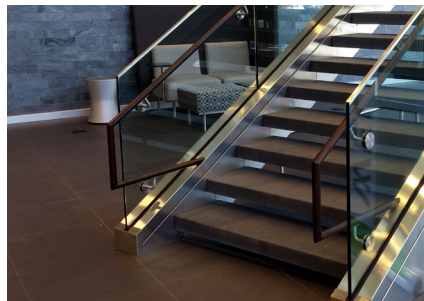
LED Integration



Wood Handrail



Drink Rails



Track Rail™

Base Shoe Railing System

