

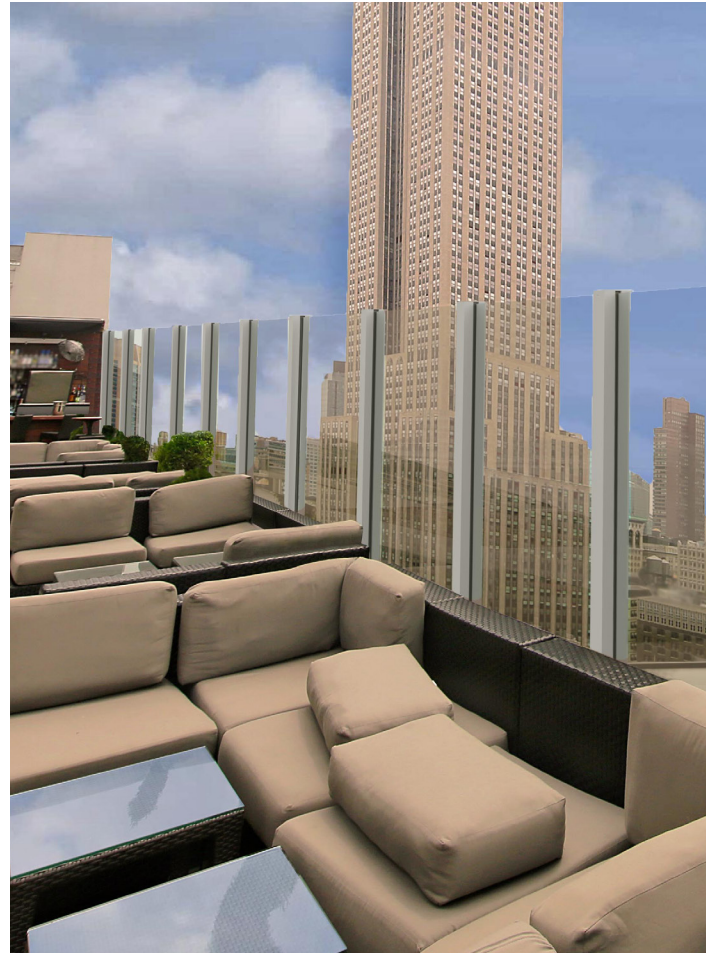
Ascent™



Glass Windscreen System

Ascent™, a post-supported glass windscreen designed for commercial exterior use, delivers unobstructed views while also diverting wind to create a more enjoyable environment and outdoor experience. Designed to withstand 80psf wind loads – eight times the amount of standard windscreens – Ascent™ is the ideal solution for protecting pools, outdoor dining areas and balconies. At a standard height of 6 ft., Sightline Commercial Solutions' Ascent™ Windscreen provides extensive coverage for furniture and patrons; however, the product's height is completely customizable.



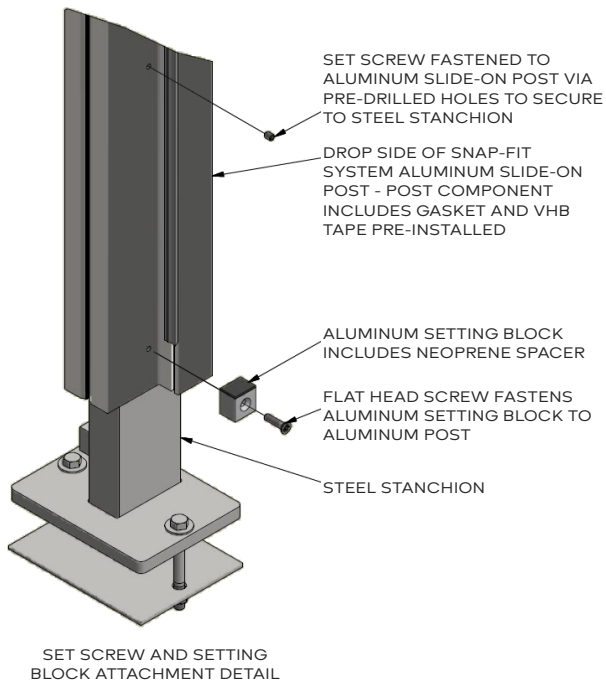
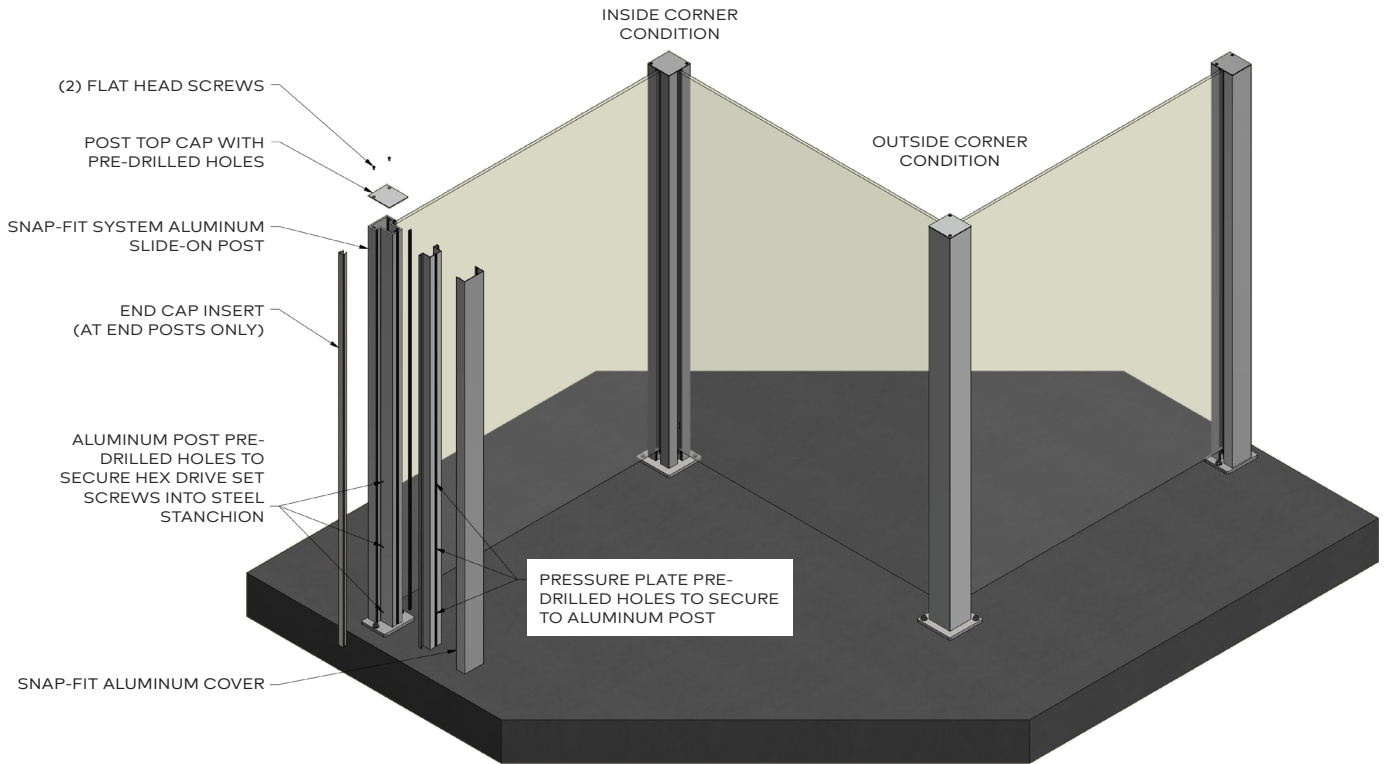


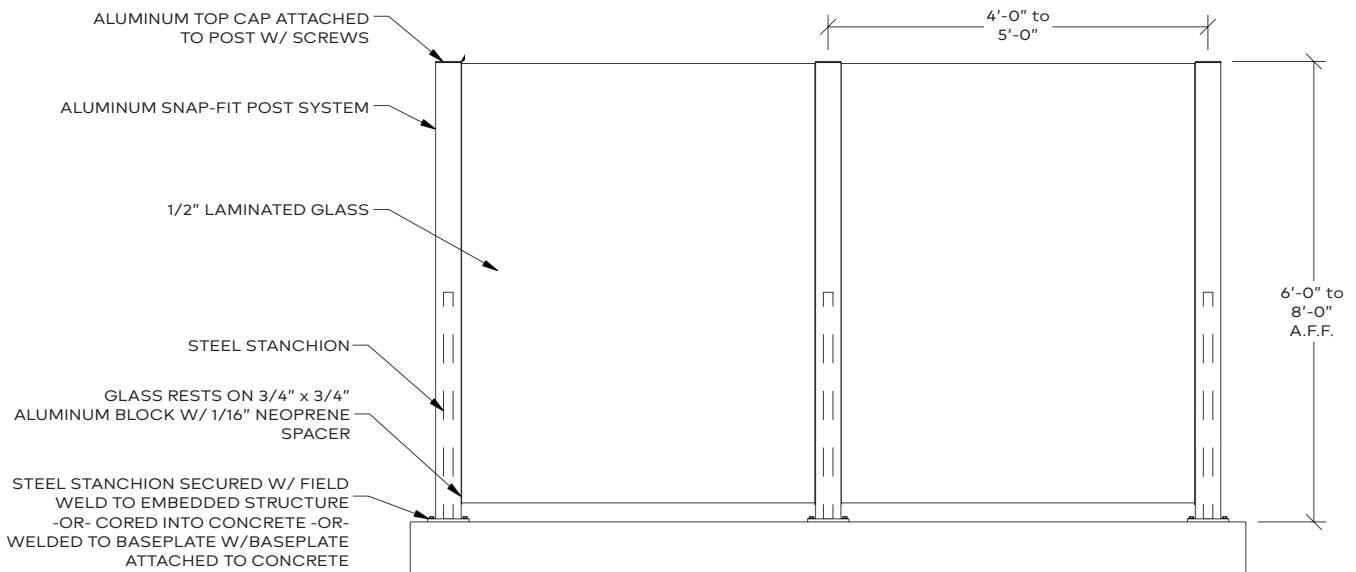
Specifications

| | |
|----------------|---|
| Material: | Mid/End: Extruded Aluminum 4" x 4 1/2" snap-fit posts Inside/Outside: Extruded Aluminum 4 1/2" x 4 1/2" snap-fit posts |
| Finishes: | Anodized, High Performance Coatings, Powder Coat, Kynar |
| Height: | 6' - 8' A.F.F. |
| Post Spacing : | 4' - 5' On Center |
| Mount Type: | Top, Pedestal, & Facia |
| Infill: | 9/16" Laminated Glass, composite panels |
| Installation: | Performed from walking side (no need for scaffolding or lifts) |

*custom options available

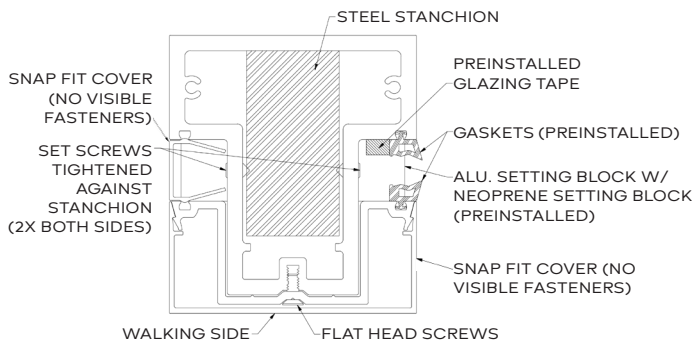
Product Components



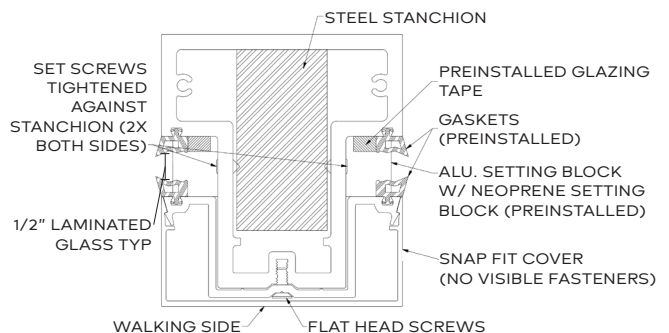


Post Detail

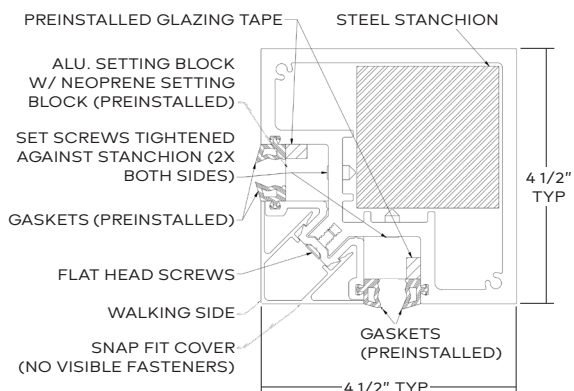
END POST DETAIL



MID POST DETAIL



INSIDE CORNER DETAIL



OUTSIDE CORNER DETAIL

