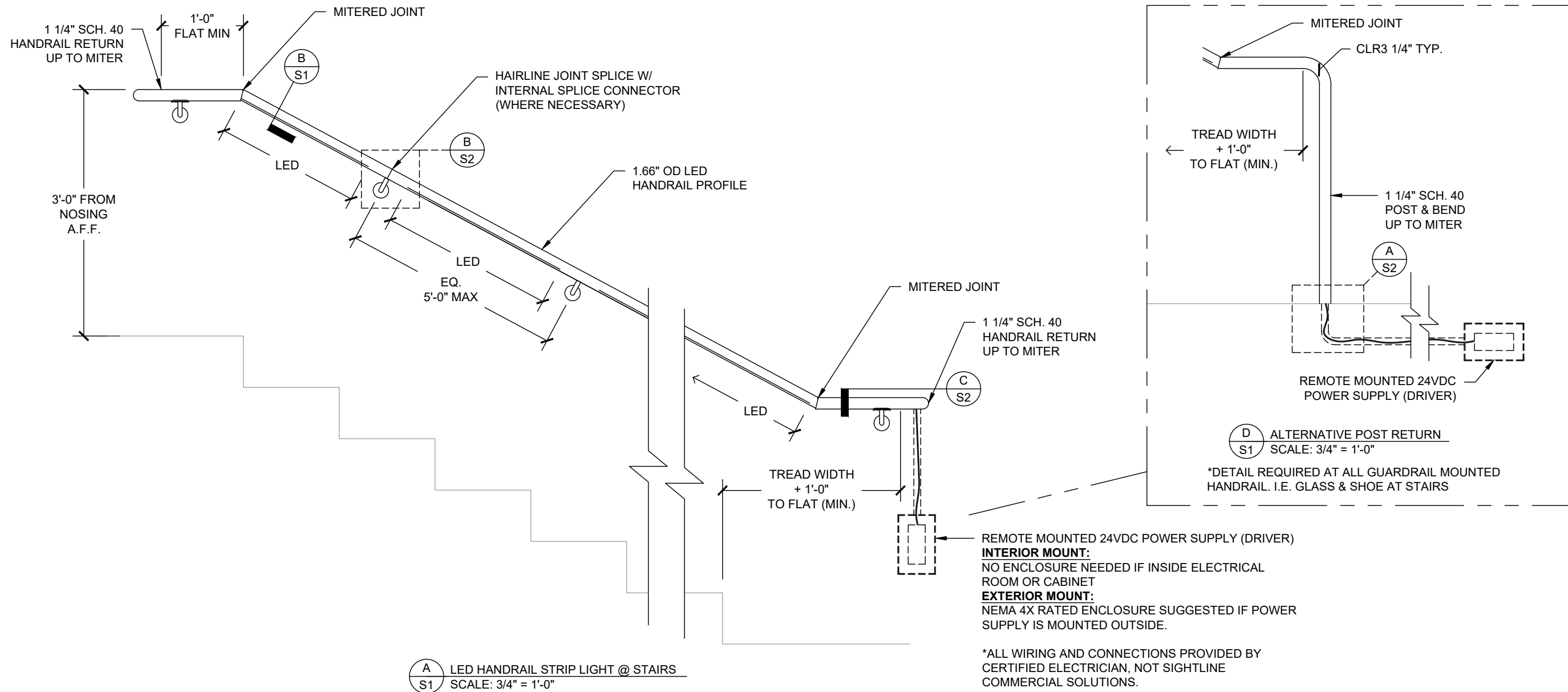
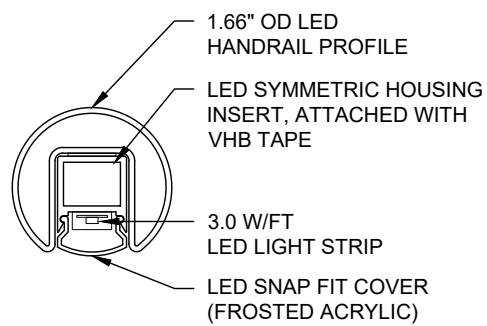


PROJECT INFORMATION

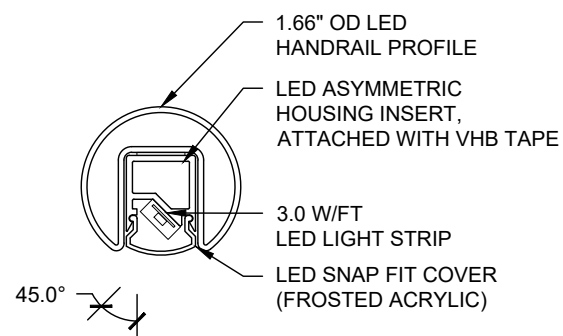
PROJECT:
LED HANDRAIL
TYPICAL DETAILS
LOCATION:
MINNEAPOLIS, MN



A LED HANDRAIL STRIP LIGHT @ STAIRS
SCALE: 3/4" = 1'-0"



B1 LED STRIP LIGHT SECTION - SYMMETRIC
SCALE: 6"=1'-0"



B2 LED STRIP LIGHT SECTION - ASYMMETRIC
SCALE: 6"=1'-0"

LED STRIP LIGHT SPECS

POWER CONSUMPTION: 3.0 WATTS/FT
INPUT VOLTAGE: 24VDC
MAX. FLUX: 210 LUMENS/FT
COLOR: WARM WHITE - 3000K
BEAM ANGLE: 110° (SYMMETRIC)
55° (ASYMMETRIC) 45° NADIR
LED QTY: 75 LEDS/FT
DIMMABLE: YES (0-10V)
CRI: 95+
LIFESPAN: UP TO 70,000 HRS (LM70)
SUITABLE USES: IP 67 (DRY OR WET LOCATIONS)
CERTIFICATIONS: UL, cUL, RoHS
WARRANTY: 5 YEARS

POWER SUPPLY (DRIVER) SPECS

INPUT VOLTAGE: 110-277VAC
INPUT Hz: 50-60 Hz
OUTPUT VOLTAGE: 24VDC
OUTPUT WATTS (MAX): 96 WATTS (or) 2x 96 WATTS
OUTPUT WATTS (80%): 76 WATTS
OUTPUT CURRENT: 4 AMPS
DIMMABLE: YES (0-10V)
OPERATING TEMPS:-40 TO 140 DEGREES
CLASS RATING: CLASS 2
INTEGRATED WIRE COMPARTMENT
SUITABLE USES: IP 67 (DRY OR WET LOCATIONS)
CERTIFICATIONS: UL, RoHS
WARRANTY: 5 YEARS

ELECTRICAL COMPONENTS MANUFACTURED BY Q-TRAN INC.

*DIMENSIONS AND SPECIFICATIONS LISTED ARE FOR SIGHTLINE COMMERCIAL SOLUTIONS PRODUCTS STANDARD LED HANDRAIL. SEE SALES SHEET FOR OTHER AVAILABLE OPTIONS.

LED HANDRAIL - STRIP LIGHT
TYPICAL WALL MOUNT RAIL DETAILS

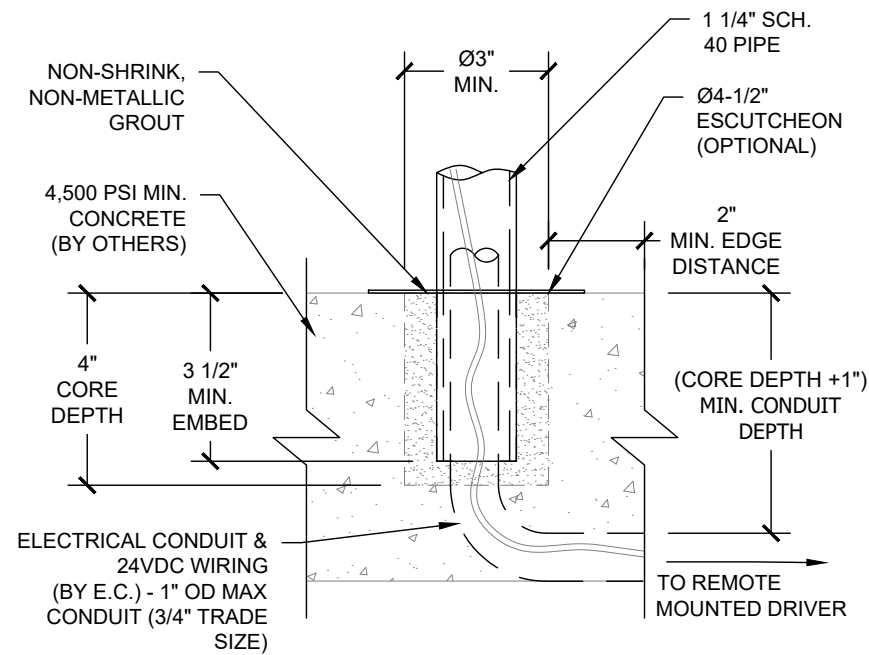
ITEM	DESCRIPTION	AUTH	DATE

DRAWN BY NBB	DATE 3/27/20
PROJECT NUMBER SALES	
SHEET NUMBER SCS-LED-STRIP-WMHR-S1	

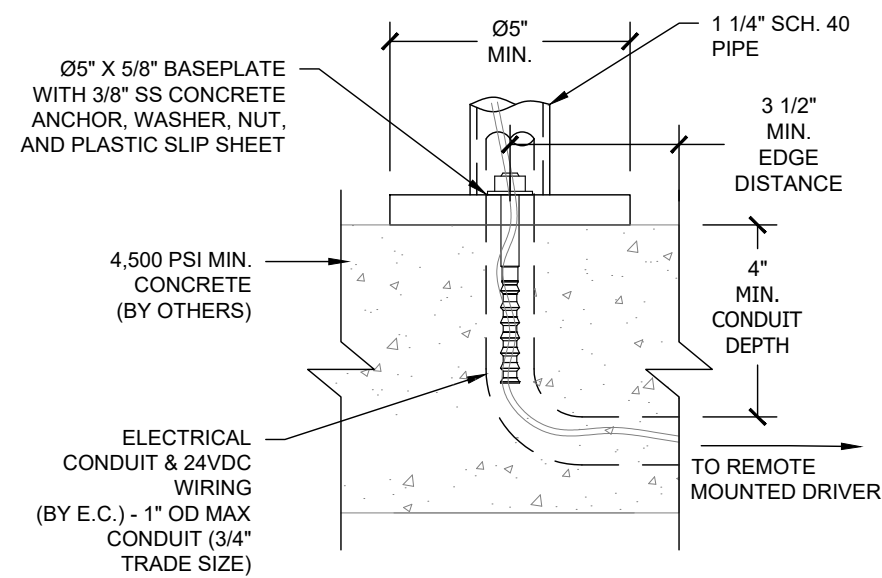
PROJECT INFORMATION

PROJECT:
LED HANDRAIL
TYPICAL DETAILS
LOCATION:
MINNEAPOLIS, MN

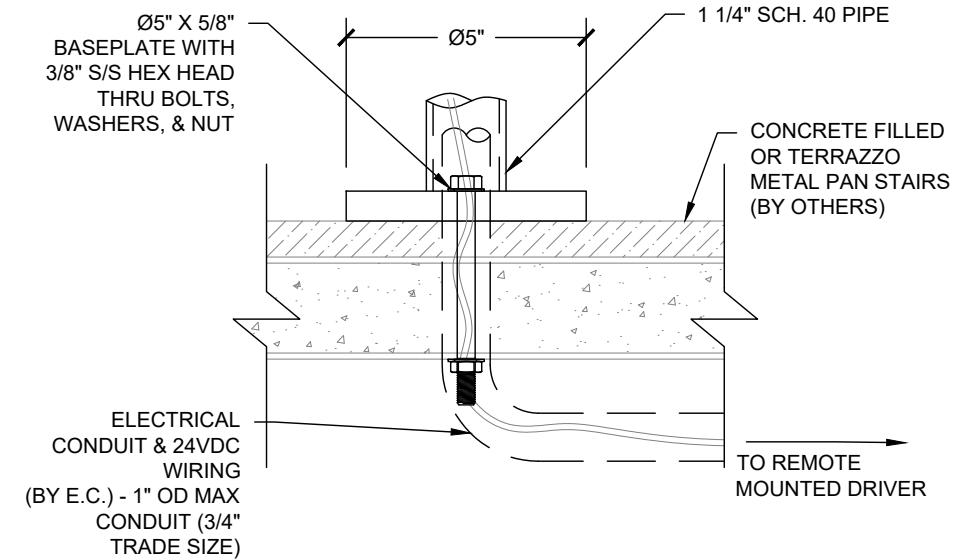
**LED HANDRAIL - STRIP LIGHT
TYPICAL WALL MOUNT RAIL DETAILS**



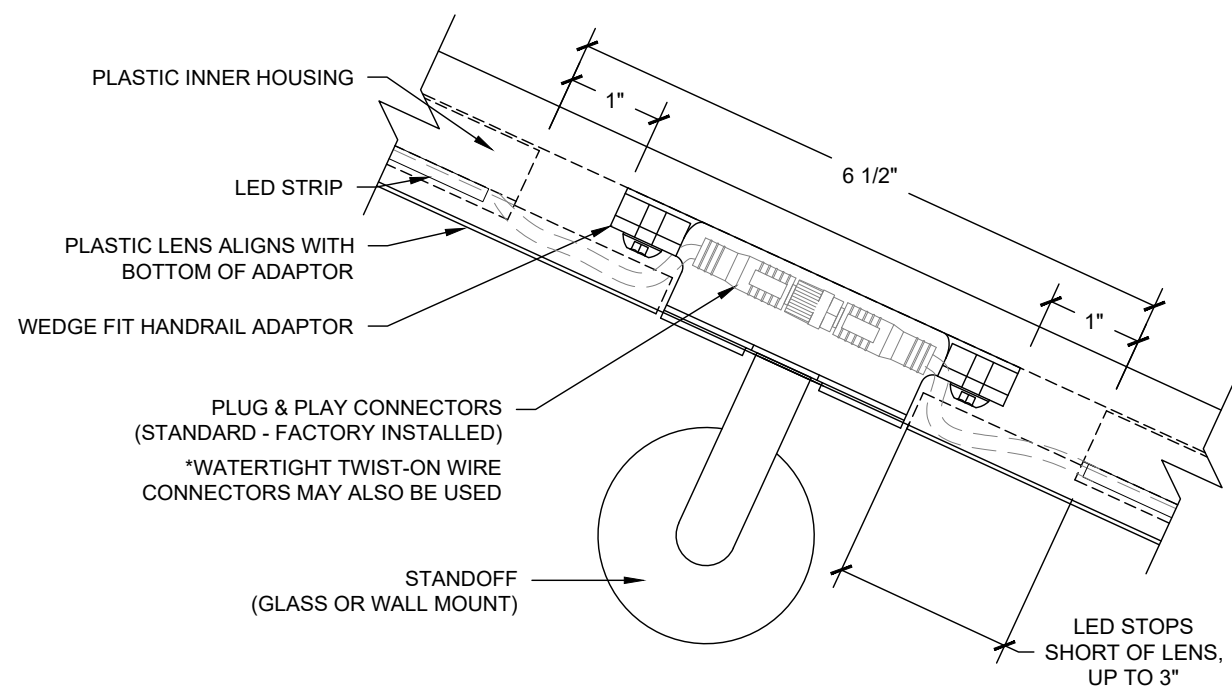
A1 LED HANDRAIL CORE CONNECTION DETAIL
SCALE: S2



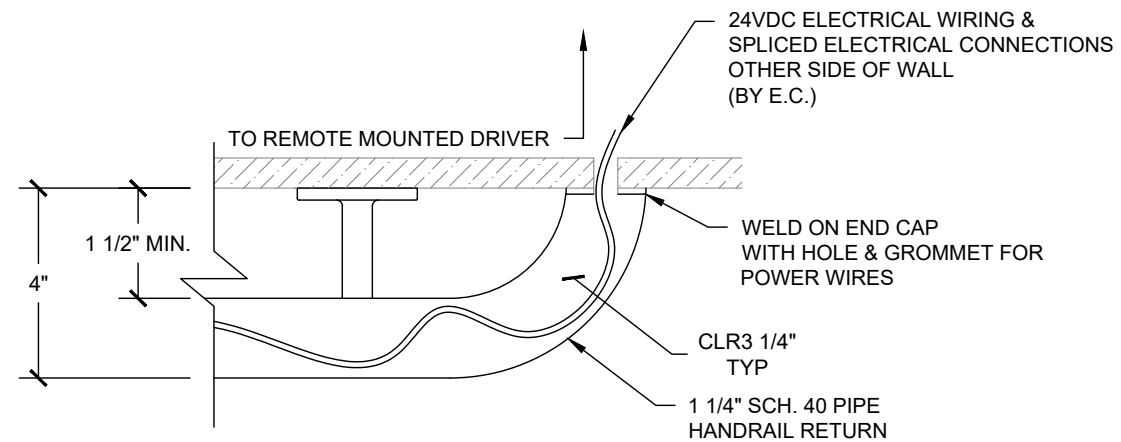
A2 LED HANDRAIL BASEPLATE CONNECTION DETAIL
SCALE: 3"=1'-0"



A3 LED HANDRAIL BASEPLATE CONNECTION DETAIL
SCALE: 3"=1'-0"



B LED STANDOFF BRACKET DETAIL
SCALE: 6"=1'-0"



C LED HANDRAIL WALL CONNECTION DETAIL
SCALE: 3"=1'-0"

*DIMENSIONS AND SPECIFICATIONS LISTED ARE FOR SIGHTLINE COMMERCIAL SOLUTIONS PRODUCTS STANDARD LED HANDRAIL. SEE SALES SHEET FOR OTHER AVAILABLE OPTIONS.

ITEM	DESCRIPTION	AUTH	DATE

DRAWN BY NBB	DATE 3/27/20
PROJECT NUMBER SALES	
SHEET NUMBER SCS-LED-STRIP-WMHR-S2	