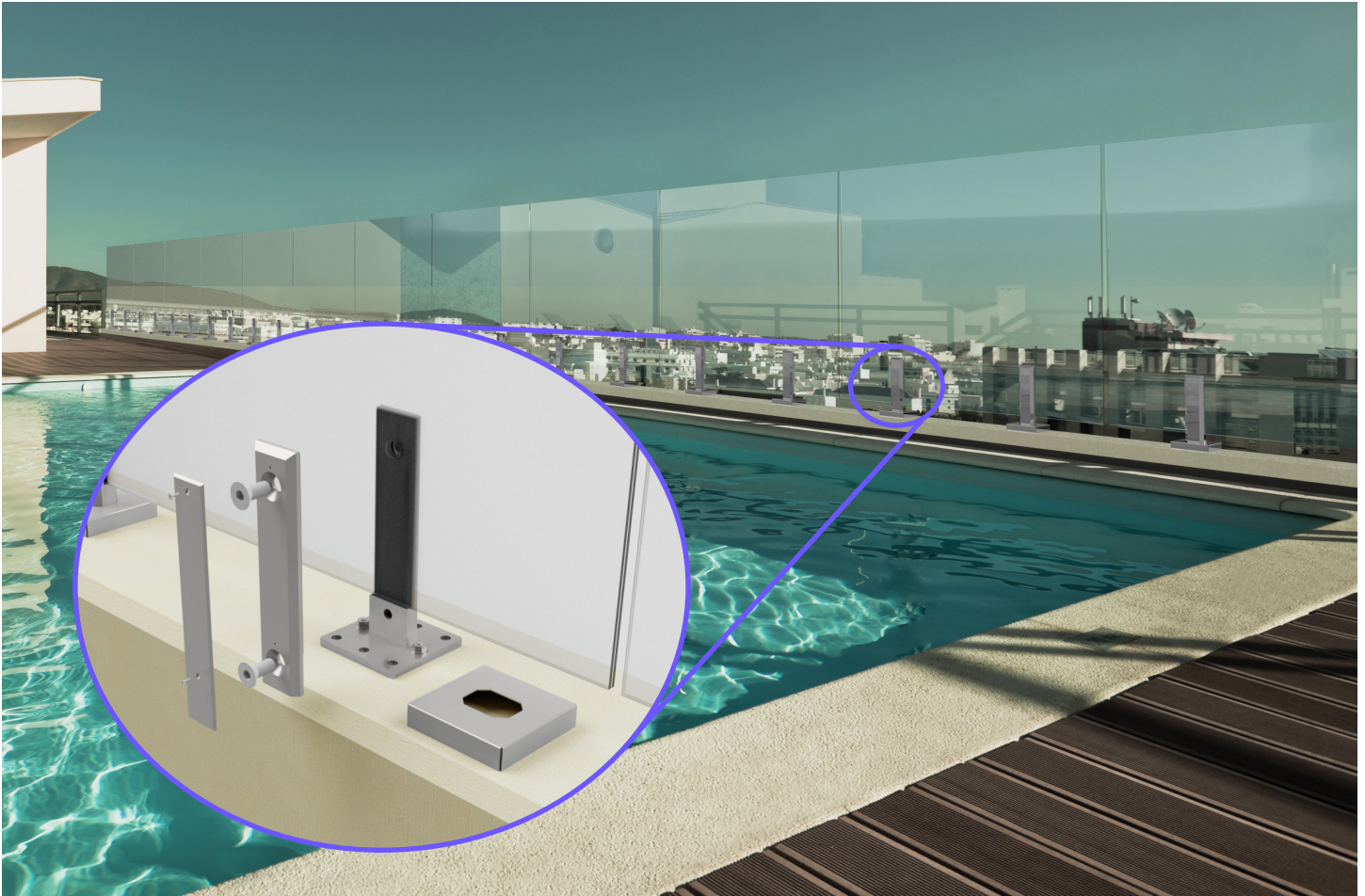


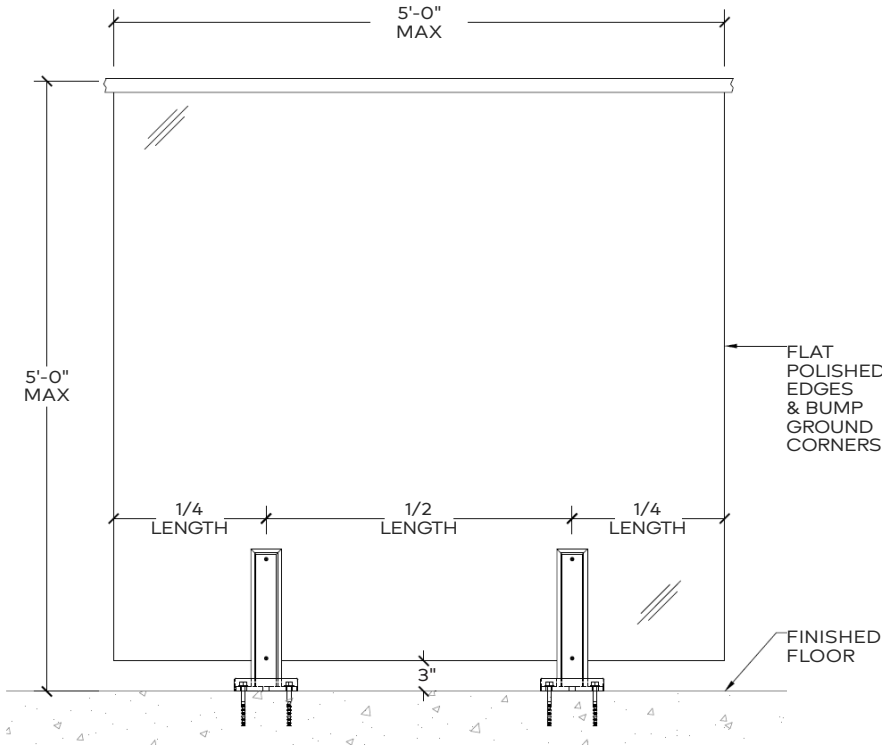
Ocula® Frameless Glass Windscreen is a clamp-supported system that brings together unparalleled wind protection with a virtually invisible look for commercial exterior use. Ideal for pool surroundings and balcony dividers, this post-free system is ultra-streamlined and can be paired with view-optimizing clear glass panels or frosted/fritted glass for enhanced privacy. Comparable to our award-winning Ascent™ Glass Windscreen, this versatile system offers industry-exceeding wind protection and design flexibility. The system can withstand wind loads up to eight times the amount of competitor windscreens, even as the height increases from guardrail height to pool surrounds or balcony dividers.





Specifications

Material:	Stainless Steel (316 & 2205) suitable for interior or exterior applications
Finishes:	#4 Brushed Linear
Rail Heights:	Guardrail - 43", Pool - 48", Balcony Divider - 60" (custom available)
Mount Type:	Top mount with baseplate and escutcheon cover (anchorage project specific)
Glass Options:	9/16" Tempered-Laminated Clear Glass (frosted or fitting available)
Glass Mount:	1x, 1-1/4" hole in glass required. Pressure fit.
Loading:	Up to 86 PSF Windload & full IBC guardrail loading (see tables)
Top Cap/Handrail:	Multiple options available

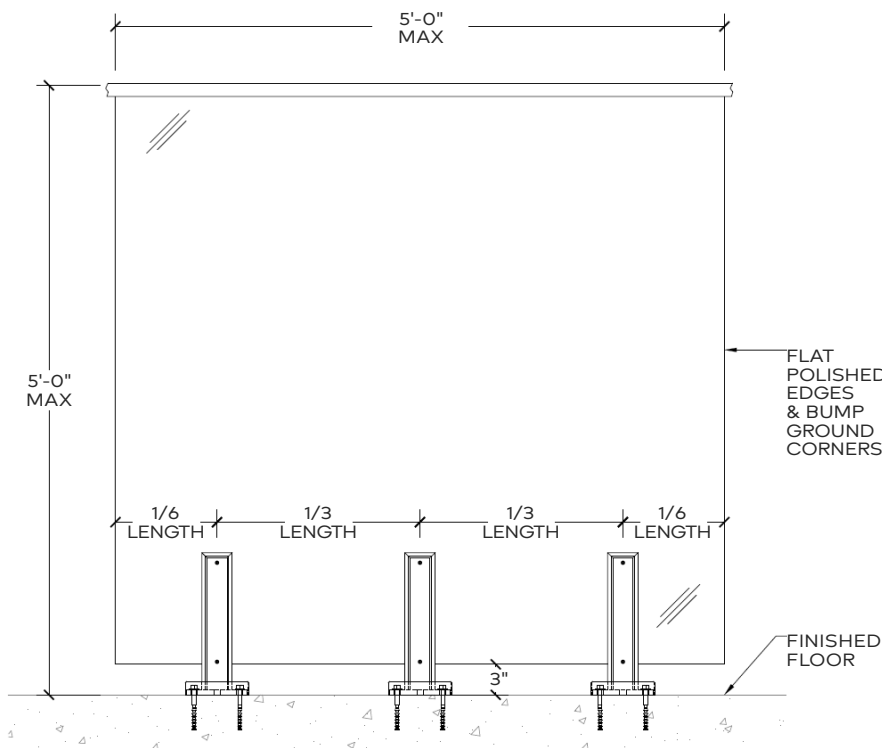


2 CLAMP MAX WIND LOAD FOR STANDARD GLASS PANEL SIZES		
GLASS SIZE ¹ (W X H)	SUPPORTS (#)	MAX WIND LOAD ² (PSF)
48 x 43 ³	2	86
48 x 48 ³	2	54
48 x 60 ³	2	33
60 x 60 ³	2	28

1 - GLASS PANEL HEIGHT LISTED IS RAILING HEIGHT FROM F.F.
 2 - MAX WIND LOAD IS BASED ON RAIL ONLY (SUPPORTS & GLASS). ANCHORAGE TO BUILDINGS STRUCTURE MAY REDUCE LOADING FURTHER. SEE SIGHTLINE COMMERCIAL SOLUTIONS' ENGINEERING FOR FURTHER DETAILS. SERVICE LEVEL (ASD) LOADS.
 3 - CONFIGURATION NOT APPLICABLE AS A GUARDRAIL, BARRIER ONLY.

3 CLAMP MAX WIND LOAD FOR STANDARD GLASS PANEL SIZES		
GLASS SIZE ¹ (W X H)	SUPPORTS (#)	MAX WIND LOAD ² (PSF)
48 x 43 ³	3	86
48 x 48 ³	3	66
48 x 60 ³	3	40
60 x 60 ³	3	35

1 - GLASS PANEL HEIGHT LISTED IS RAILING HEIGHT FROM F.F.
 2 - MAX WIND LOAD IS BASED ON RAIL ONLY (SUPPORTS & GLASS). ANCHORAGE TO BUILDINGS STRUCTURE MAY REDUCE LOADING FURTHER. SEE SIGHTLINE COMMERCIAL SOLUTIONS' ENGINEERING FOR FURTHER DETAILS. SERVICE LEVEL (ASD) LOADS.
 3 - CONFIGURATION NOT APPLICABLE AS A GUARDRAIL, BARRIER ONLY.

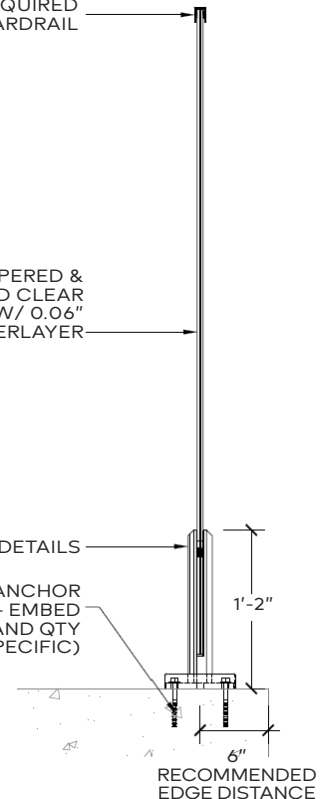


TOP CAP REQUIRED FOR IBC GUARDRAIL

9/16" TEMPERED & LAMINATED CLEAR GLASS W/ 0.06" SGP INTERLAYER

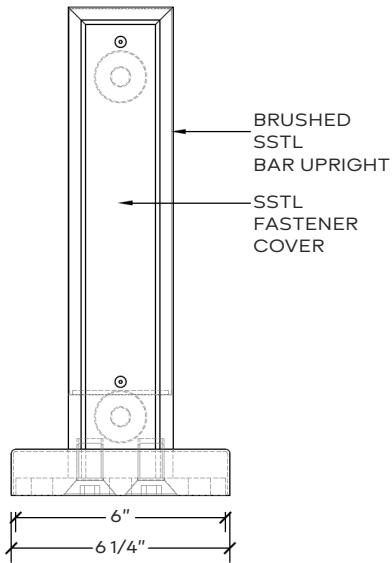
SEE CLAMP DETAILS

CONCRETE ANCHOR -OR- EMBED (SIZE AND QTY PROJECT SPECIFIC)

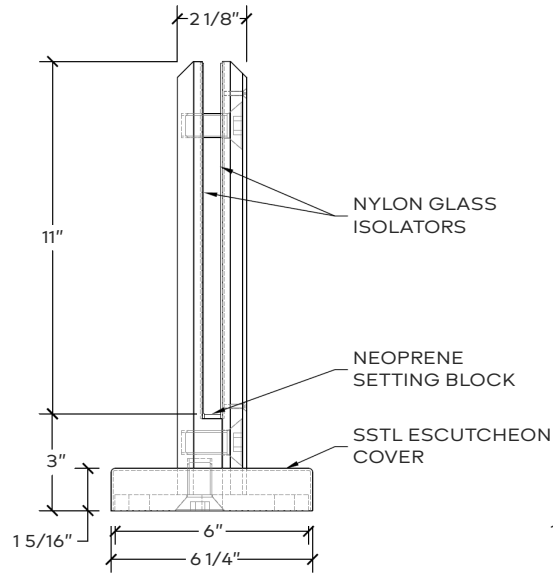


Clamp Detail

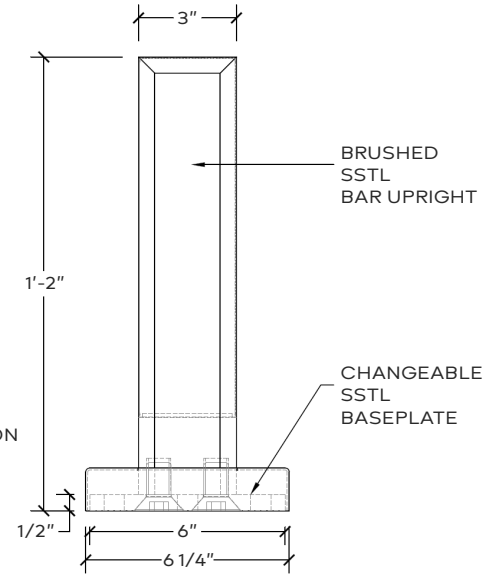
FRONT VIEW



SIDE VIEW



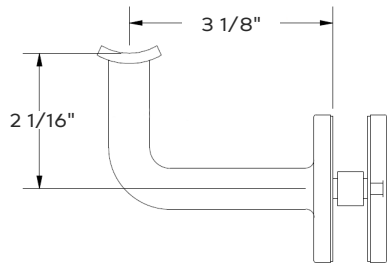
BACK VIEW



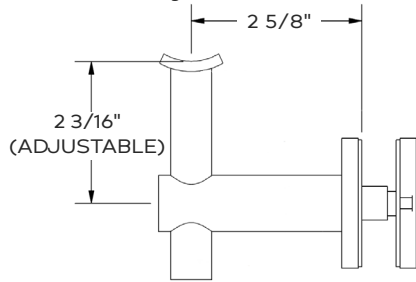
Accessories

Standoffs

Bent Rod

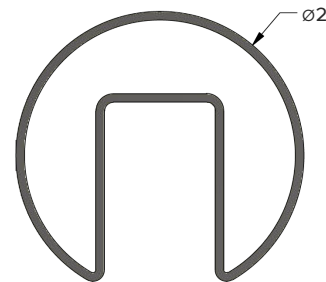


Adjustable Rod

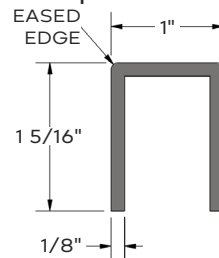


Top Caps

Round



Sharp Corner



Hemmed

